

Item description/product images



Description

Material:

Steel C35Pb.
Gunmetal Rg7.
Plastic PA6.6 with MoS2).

Version:

Bright.

Note:

ISO trapezoidal thread based on DIN 103.

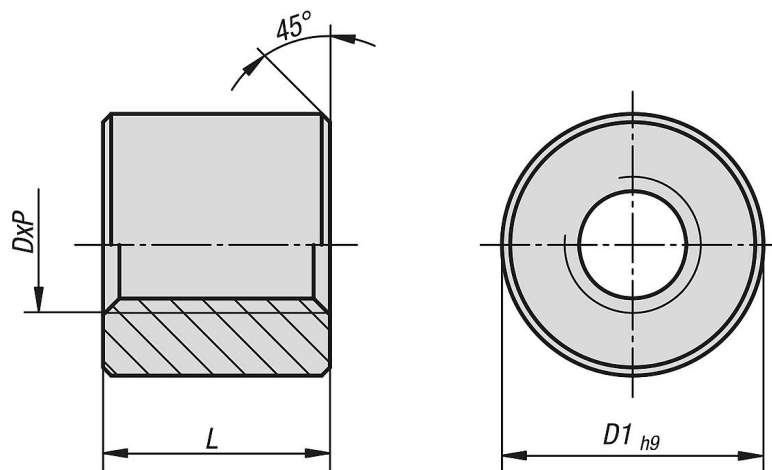
Steel nuts: for adjustments during manual operation and as fastening nuts. Not advised for use with motorised drives due to the steel-steel material combination.

Gunmetal nuts: for motion drives with low and medium speed. By insufficient lubrication, gunmetal trapezoidal thread nuts on steel spindles have good dry-running properties.

Plastic nuts: for low-noise motion drives. Good dry-running properties.

Tolerance class 7H.

Drawings



Overview of items

Order No.	Main material	DxP	D1	L
24004-060211	steel	Tr 6x2 P1	18	12
24004-120611	steel	Tr 12x6 P3	26	24
24004-160811	steel	Tr 16x8 P4	36	32
24004-200811	steel	Tr 20x8 P4	45	40
24004-241011	steel	Tr 24x10 P5	50	48
24004-301211	steel	Tr 30x12 P6	60	60
24004-401411	steel	Tr 40x14 P7	80	80
24004-060213	gunmetal	Tr 6x2 P1	18	12
24004-120613	gunmetal	Tr 12x6 P3	26	24
24004-160813	gunmetal	Tr 16x8 P4	36	32
24004-200813	gunmetal	Tr 20x8 P4	45	40

Overview of items

Order No.	Main material	DxP	D1	L
24004-241013	gunmetal	Tr 24x10 P5	50	48
24004-301213	gunmetal	Tr 30x12 P6	60	60
24004-401413	gunmetal	Tr 40x14 P7	80	80
24004-060214	plastic	Tr 6x2 P1	18	12
24004-120614	plastic	Tr 12x6 P3	26	24
24004-160814	plastic	Tr 16x8 P4	36	32
24004-200814	plastic	Tr 20x8 P4	45	40
24004-241014	plastic	Tr 24x10 P5	50	48
24004-301214	plastic	Tr 30x12 P6	60	60
24004-401414	plastic	Tr 40x14 P7	80	80