

Item description/product images



Description

Material:

Black grey thermoplastic.

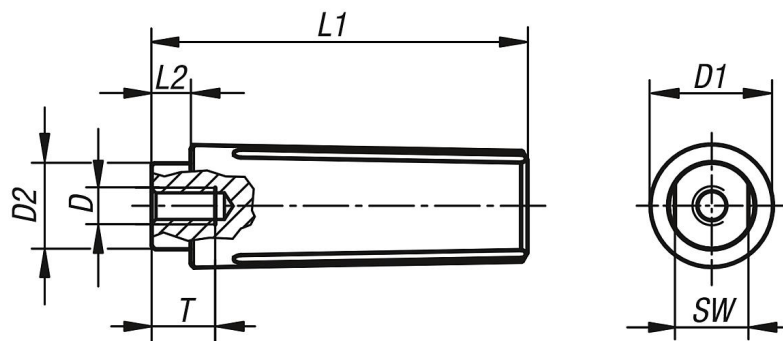
Version:

Steel parts black oxidised.

Note:

Cylindrical grips are supplied assembled and can be screwed onto our handwheels, crank handles etc.

Drawings



Overview of items

Order No.	D	D1	D2	L1	L2	T	SW
06325-1104	M4	13	9	40	5	8	8