

## Item description/product images



## Description

**Material:**

Housing 1.4308 stainless steel, from size 5 1.4301.  
Clamping arm 1.4301 stainless steel.  
Buffer natural rubber.  
Screw stainless steel A2.

**Version:**

Housing and lever arm bright.  
Screw ISO 4017, grade 70, bright.

**Note:**

Clamping element with integrated highly elastic, shape-retaining natural rubber buffer.

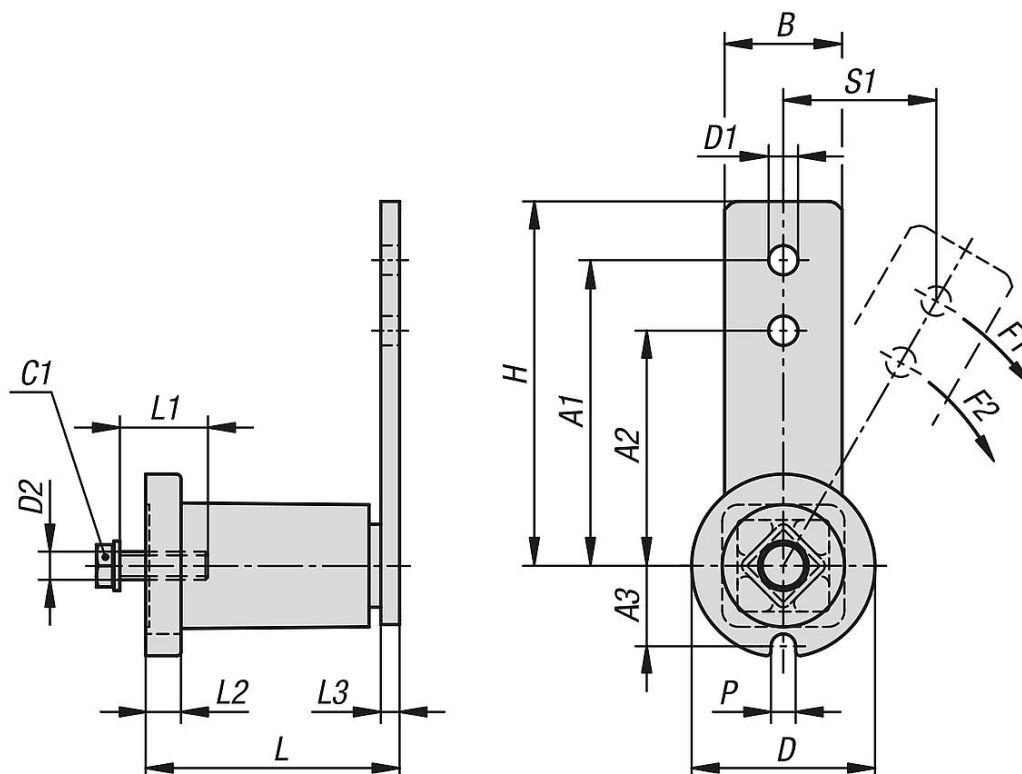
Together with a chain tensioner set, sprocket set or a tension pulley, the clamping element makes a ready-to-install tensioning unit suitable for tensioning chain and belt drives. Suitable for both tensioning directions. The clamping elements are maintenance-free and tear-off resistant.

The clamping element is fastened to the machine component through a bore. If necessary, a heavy-duty dowel pin can be inserted in the positioning notch "P" for torque support.

**Temperature range:**

-55 °C to +85 °C.

## Drawings



## Overview of items

| Order No.  | Size | A1  | A2  | A3   | B  | D    | D1   | D2  | H   | L           | L1 | L2 | L3 | P    | S1 | Tightening torque<br>of screw C1<br>Nm | F1<br>N | F2<br>N |
|------------|------|-----|-----|------|----|------|------|-----|-----|-------------|----|----|----|------|----|--|---------|---------|
| 22281-14-1 | 1    | 80  | 60  | 16,6 | 20 | 37,5 | 8,5  | M6  | 90  | 52+1 -0,5   | 25 | 6  | 5  | 8    | 42 | 10                                     | 90      | 110     |
| 22281-14-2 | 2    | 100 | 80  | 19,5 | 25 | 48   | 10,5 | M8  | 115 | 63+1 -0,5   | 25 | 8  | 5  | 8,5  | 53 | 25                                     | 140     | 170     |
| 22281-14-3 | 3    | 100 | 80  | 24,5 | 30 | 60   | 10,5 | M10 | 115 | 78+1,5 -0,5 | 30 | 10 | 6  | 8,5  | 53 | 48                                     | 320     | 430     |
| 22281-14-4 | 4    | 130 | 100 | 34   | 50 | 78   | 12,5 | M12 | 155 | 108+2 -0,5  | 40 | 14 | 8  | 10,5 | 69 | 82                                     | 820     | 1050    |
| 22281-14-5 | 5    | 175 | 135 | 42   | 60 | 98   | 20,5 | M16 | 205 | 130+2 -0,5  | 40 | 15 | 8  | 12   | 93 | 199                                    | 1500    | 1940    |