

Item description/product images



Description

Material:

C45 steel or 1.4301 stainless steel.

Version:

Cold-drawn, bright.

Note:

Spline shafts based on DIN ISO 14 with straight parallel flanks. A spline shaft with spline hub is used to transmit high torques while enabling simultaneous axial movement. The spline shafts are cold-drawn. Cold drawing does not interrupt the grain flow of the base material, ensuring spline shafts of very high strength.

Tolerances:

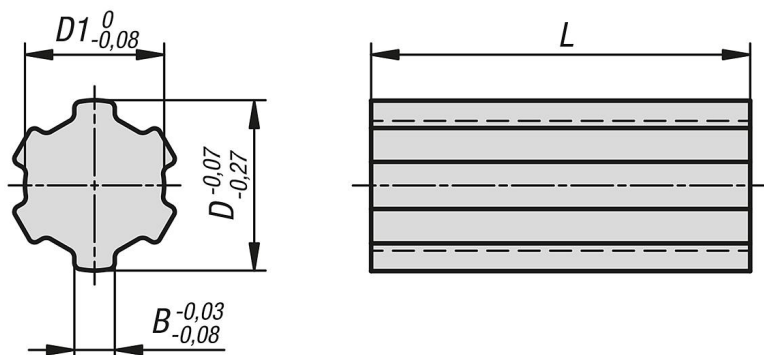
Straightness 0.8 mm/m.

Torsion max. 0.5 mm/m.

On request:

Other lengths.

Drawings



Overview of items

Order No.	Main material	Profile	No. of splines	B	D	D1	L	L max.
24010-11141X1000	steel	KW11X14	6	3	14	11	1000	3000
24010-13161X1000	steel	KW13X16	6	3,5	16	13	1000	3000
24010-16201X1000	steel	KW16X20	6	4	20	16	1000	3000
24010-18221X1000	steel	KW18X22	6	5	22	18	1000	3000
24010-21251X1000	steel	KW21X25	6	5	25	21	1000	3000
24010-23281X1000	steel	KW23X28	6	6	28	23	1000	3000
24010-26321X1000	steel	KW26X32	6	6	32	26	1000	3000
24010-32381X1000	steel	KW32X38	8	6	38	32	1000	3000
24010-36421X1000	steel	KW36X42	8	7	42	36	1000	3000
24010-42481X1000	steel	KW42X48	8	8	48	42	1000	3000
24010-46541X1000	steel	KW46X54	8	9	54	46	1000	3000
24010-11141X2000	steel	KW11X14	6	3	14	11	2000	3000
24010-13161X2000	steel	KW13X16	6	3,5	16	13	2000	3000
24010-16201X2000	steel	KW16X20	6	4	20	16	2000	3000
24010-18221X2000	steel	KW18X22	6	5	22	18	2000	3000
24010-21251X2000	steel	KW21X25	6	5	25	21	2000	3000
24010-23281X2000	steel	KW23X28	6	6	28	23	2000	3000
24010-26321X2000	steel	KW26X32	6	6	32	26	2000	3000
24010-32381X2000	steel	KW32X38	8	6	38	32	2000	3000

Overview of items

Order No.	Main material	Profile	No. of splines	B	D	D1	L	L max.
24010-36421X2000	steel	KW36X42	8	7	42	36	2000	3000
24010-42481X2000	steel	KW42X48	8	8	48	42	2000	3000
24010-46541X2000	steel	KW46X54	8	9	54	46	2000	3000
24010-11141X3000	steel	KW11X14	6	3	14	11	3000	3000
24010-13161X3000	steel	KW13X16	6	3,5	16	13	3000	3000
24010-16201X3000	steel	KW16X20	6	4	20	16	3000	3000
24010-18221X3000	steel	KW18X22	6	5	22	18	3000	3000
24010-21251X3000	steel	KW21X25	6	5	25	21	3000	3000
24010-23281X3000	steel	KW23X28	6	6	28	23	3000	3000
24010-26321X3000	steel	KW26X32	6	6	32	26	3000	3000
24010-32381X3000	steel	KW32X38	8	6	38	32	3000	3000
24010-36421X3000	steel	KW36X42	8	7	42	36	3000	3000
24010-42481X3000	steel	KW42X48	8	8	48	42	3000	3000
24010-46541X3000	steel	KW46X54	8	9	54	46	3000	3000
24010-11142X1000	stainless steel	KW11X14	6	3	14	11	1000	3000
24010-13162X1000	stainless steel	KW13X16	6	3,5	16	13	1000	3000
24010-16202X1000	stainless steel	KW16X20	6	4	20	16	1000	3000
24010-18222X1000	stainless steel	KW18X22	6	5	22	18	1000	3000
24010-21252X1000	stainless steel	KW21X25	6	5	25	21	1000	3000
24010-23282X1000	stainless steel	KW23X28	6	6	28	23	1000	3000
24010-26322X1000	stainless steel	KW26X32	6	6	32	26	1000	3000
24010-32382X1000	stainless steel	KW32X38	8	6	38	32	1000	3000
24010-36422X1000	stainless steel	KW36X42	8	7	42	36	1000	3000
24010-42482X1000	stainless steel	KW42X48	8	8	48	42	1000	3000
24010-46542X1000	stainless steel	KW46X54	8	9	54	46	1000	3000