

Item description/product images



**Description**

**Material:**

Cast steel body  
Low-carbon steel jaw plates.

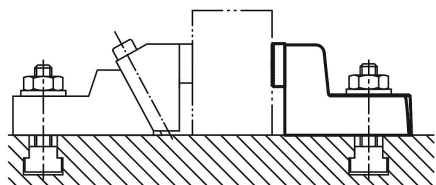
**Version:**

Black oxidised.  
Jaw plates case-hardened.

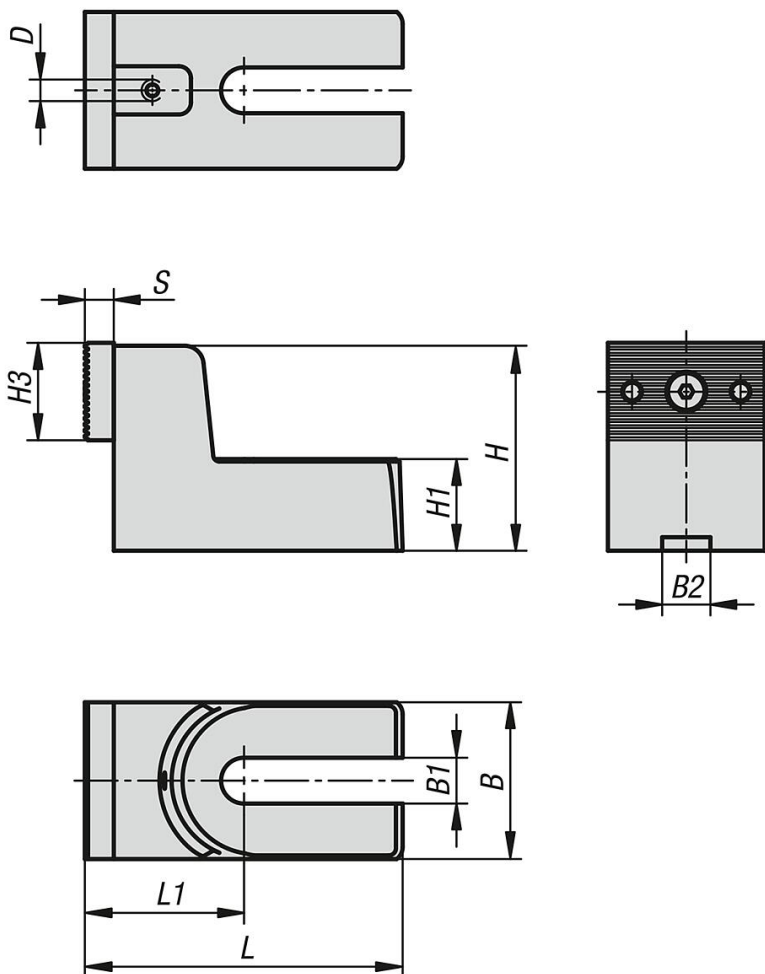
**Note:**

Fixed jaws for workpieces or fixtures which are clamped or fastened on the machine table using a robust side clamp. The jaw plates are reversible, smooth side for machined faces, serrated side for rough faces.

A flat slot key can be used to position the jaw precisely in the machine table slot.



Drawings



## Overview of items

Order No.	suitable for slot width	B	B1	B2	D	H	H1	H3	L	L1	S
04500-01-19	12/14/16/18	65	19	20	M6	85	38	40	132	66	12
04500-01-26	20/22/24/28/30	75	26	20	M6	100	45	40	177	85,5	12
04500-01-38	32/36/42	90	38	20	M6	120	56	40	211	95	12