

Item description/product images

**Description****Material:**

Handle die-cast zinc acc. to DIN EN 12844.

Locating pin and wedges steel 1.0715.

Shaft collar steel.

Version:

Handle black, plastic coated.

Centring pin and shaft collar phosphated.

Wedges black oxidised.

Lasered division marks.

Note:

By rotating the lever the two wedges expand in the bore. The infinitely adjustable shaft collar enables one or more stop elements with various thicknesses to be securely fixated.

Application:

These clamping pins are perfect for fixing standard stop elements with various thicknesses to hole grid boards / welding tables with hole \varnothing 16 mm or 28 mm.

Advantages:

Infinitely adjustable clamping range of 0-36 mm and 0-75 mm.

Not affected by the diameter or surface quality of the bore (up to H12).

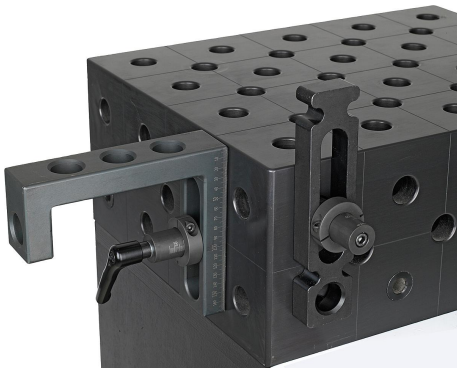
Clamping range can be easily preset using the scale.

Gentle clamping in the bore.

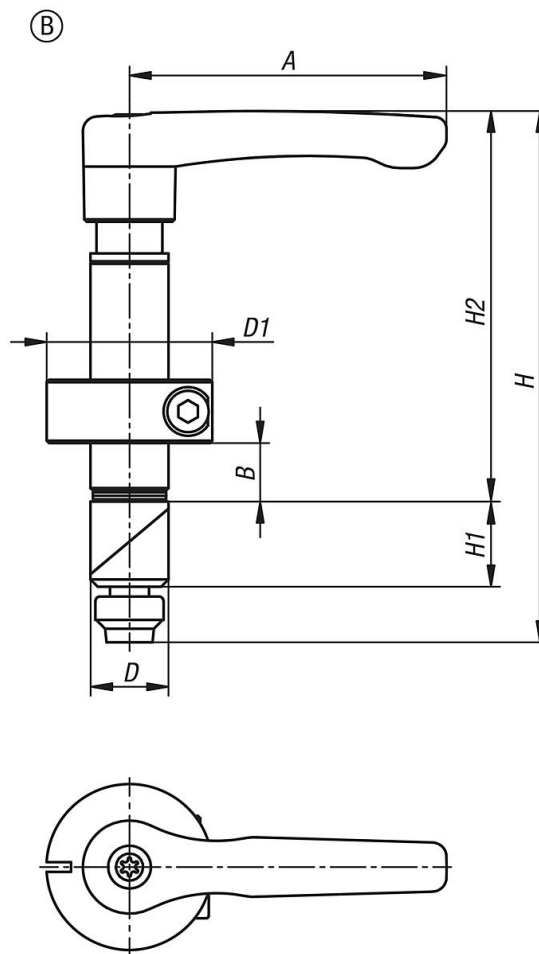
Pull-down effect even with thin table material (≥ 8 mm or ≥ 4 mm).

Compatible with conventional stop elements.

Item description/product images



Drawings



Overview of items

Order No.	Form	A	D	D1	H	H1	H2	B Clamp range
04753-0116	B	65	16	34	109	17,5	80	0-36
04753-0128	B	80	28	48	168	28	129	0-75