

## Item description/product images



## Description

**Material:**

High-performance ceramic, Cerazur.

**Version:**

Ground

**Note:**

Form A locating pins are used to position workpieces and fixture parts in reamed holes.

The flattened Form C can be used to bridge tolerances in hole spacing or to secure the part to be positioned in one direction only. The Form A locating pins can also be used as limit stops or fixture feet.

**Advantages:**

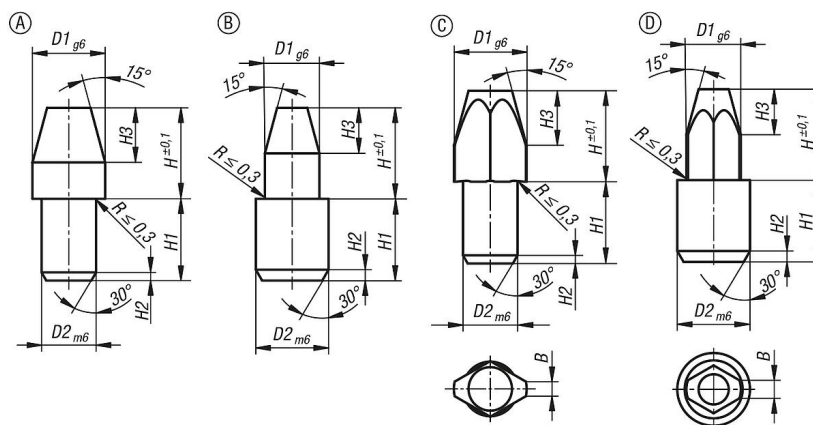
Cerazur is extremely impact and bend resistant. The basis of this material is zirconium oxide. It is a composite metal-ceramic material.

**Drawing reference:**

Form A and B: cylindrical locating pin

Form C and D: flattened locating pin

## Drawings



## Overview of items