

Item description/product images



Description

Material:

Grip glass-bead reinforced thermoplastic.
Cap thermoplastic.
Steel parts grade 5.8.

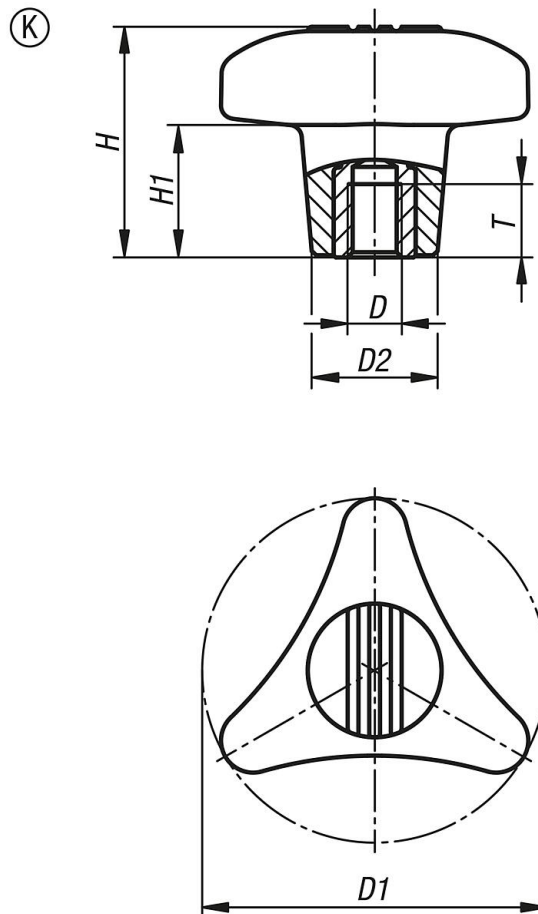
Version:

Grip and cap black grey (RAL 7021).
Steel parts blue-passivated.

On request:

Other screw lengths and colours.
Metal parts stainless steel.

Drawings



Overview of items

Order No.	Form	D	D1	D2	H	H1	T
06699-18008	K	M8	80	29,2	53,5	31	17
06699-18010	K	M10	80	29,2	53,5	31	17
06699-18012	K	M12	80	29,2	53,5	31	17

