

Item description/product images



Description

Material:

Polyamide.
Screw, steel.

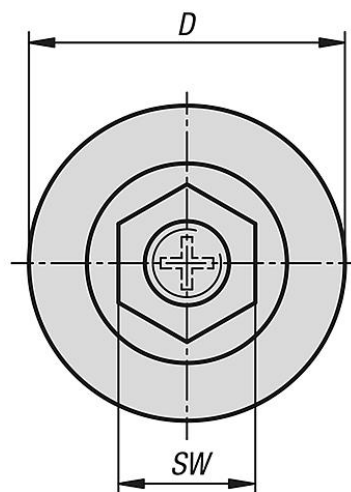
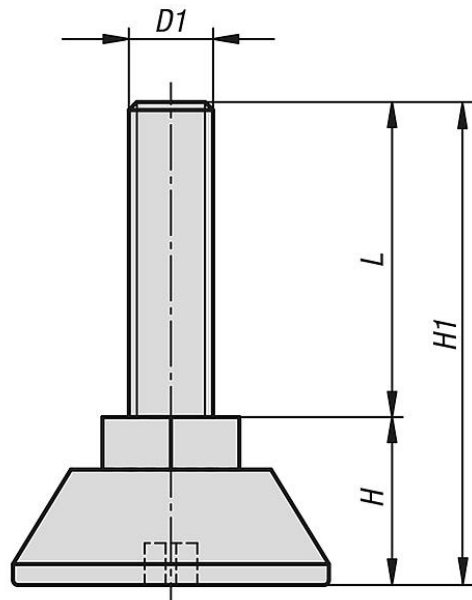
Version:

Black.
Screw electro zinc-plated.

Note:

Levelling feet with hexagonal collar and cross slot in the base as assembly aid. Rigid version.

Drawings



Overview of items

Order No.	D	D1	H	H1	L	SW	Load rating max. kN (static load only)
27795-3006X020	30	M6	16	36	20	13	3
27795-3006X030	30	M6	16	46	30	13	3
27795-3008X015	30	M8	16	31	15	13	3
27795-3008X020	30	M8	16	36	20	13	3
27795-3008X025	30	M8	16	41	25	13	3
27795-3008X030	30	M8	16	46	30	13	3
27795-3008X040	30	M8	16	56	40	13	3
27795-4708X015	47	M8	16	31	15	13	4
27795-4708X020	47	M8	16	36	20	13	4
27795-4708X030	47	M8	16	46	30	13	4
27795-4708X040	47	M8	16	56	40	13	4
27795-4710X020	47	M10	16	36	20	17	4
27795-4710X030	47	M10	16	46	30	17	4