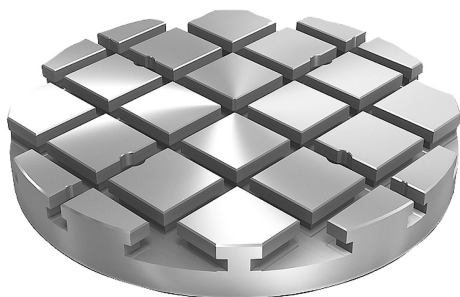


Item description/product images



Description

Material:

GJL 300.

Version:

Support and mounting surfaces ground

Note:

Round baseplates with T-slots are used for constructing modular fixtures. These baseplates are positioned and mounted directly on machine tables.

The precise longitudinal and transverse slot spacing ensures very high repeat clamping accuracy.

The aligning holes are used to align the baseplate on the machine table.

Please order locating pins to locate the baseplates separately.

Ring bolts with T-nuts for hoisting are supplied.

Other dimensions available on request.

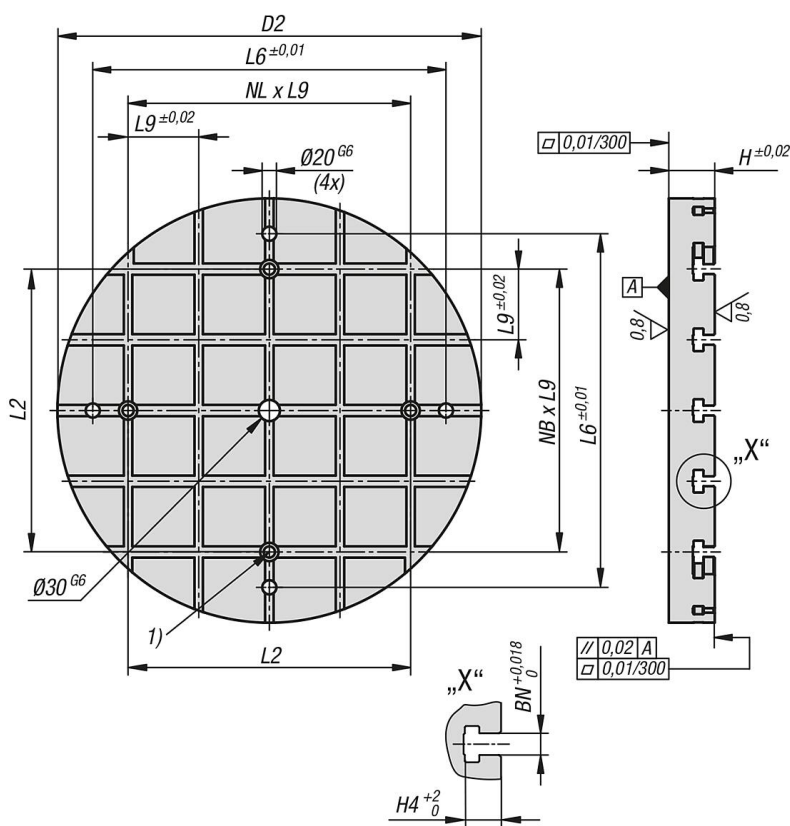
On request:

other dimensions.

Drawing reference:

1) hole for DIN 912 cap screw (D4)

Drawings



Overview of items

Order No.	D2	H	H4	D4	L2	L6	L9	BN=Slot width	NL=No. lengthwise	NB= No. across
01126-10-31430050	300	50	23	M12	150	250	75	14	2	2
01126-10-31440050	400	50	23	M12	250	350	75	14	4	4
01126-10-31850065	500	65	30	M16	300	450	100	18	4	4
01126-10-31860065	600	65	30	M16	400	550	100	18	4	4