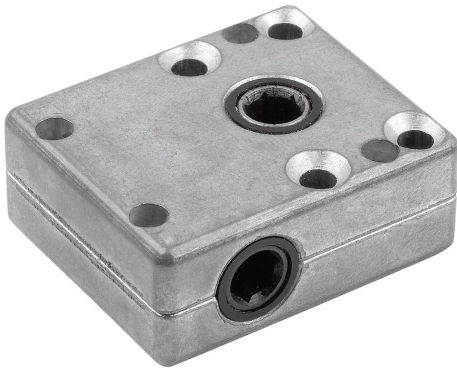


Item description/product images



Description

Material:

Housing die-cast zinc. Worm screw and worm wheel steel.

Version:

Housing bright.

Worm screw and worm wheel case hardened.

Note:

Compact, universally applicable and maintenance-free worm drive in one size with a centre distance of 14 mm and 5 different ratios. The drive is on the wide side of the box. The rotation direction of the shaft is arbitrary. Compact design with maximum torque, ruggedness and smooth power transmission distinguish these gearboxes. A flexible screw mounting enables easy installation.

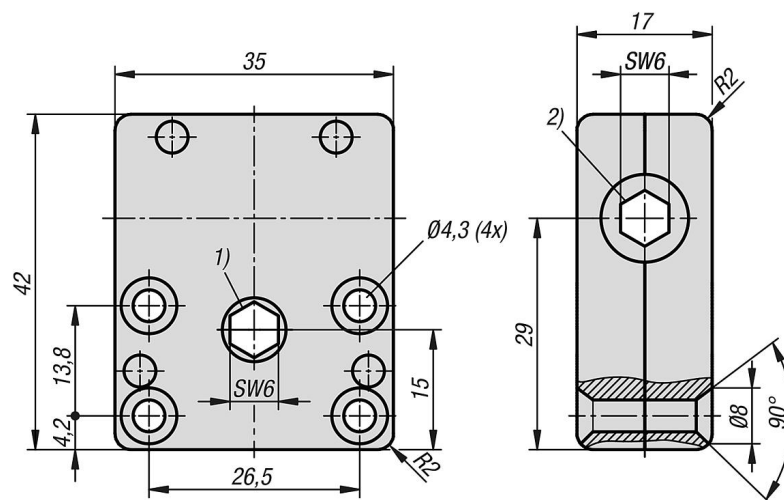
These worm gears are designed for manual operation.

Drive is provided by a 6 AF hexagon socket. Output via a 6 AF hexagon socket.

Drawing reference:

- 1) Drive
- 2) Output

Drawings



Overview of items

Order No.	Transmission ratio	Self-locking	Max. driving torque M Nm	Max. output torque M Nm
22700-12-1	1:1	not self-locking	3,5	2
22700-12-2	2,5:1	not self-locking	2,6	3
22700-12-4	4,33:1	self-locking	1,9	3
22700-12-6	6:1	self-locking	1,8	3
22700-12-13	13:1	self-locking	1,3	3

