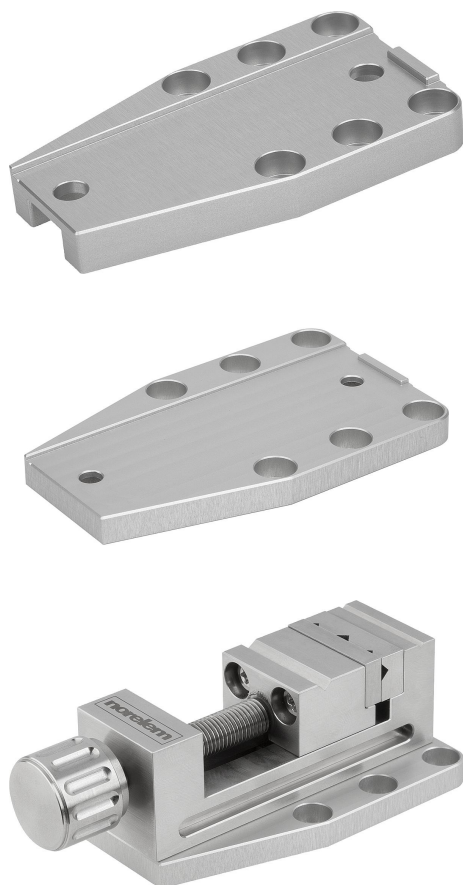


Item description/product images



Description

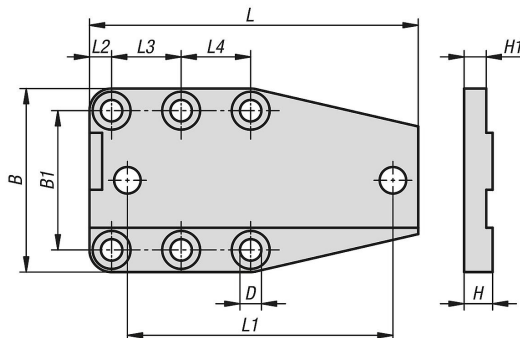
Material:
Aluminium.

Version:
Anodised aluminium.

Note:
The aluminium mounting plate can be used as a baseplate for the precision vice 33225-10.
By using the mounting plate, the precision vice can be mounted on all positioning systems with dimension B=29 or B=46.

Accessory:
Suitable for positioning stages (21100, 21102, 21104, 21120, 21122, 21124), cross tables (21130, 21132, 21133, 21134, 21136, 21137) and vertical stages (21140, 21142).

Drawings



Overview of items

Order No.	B	B1	D	H	H1	L	L1	L2	L3	L4
33225-16-152952	29	22	3,4	7	6	52	42	3,5	11	11
33225-16-254677	46	36	4,5	7	6	77	62,5	5	18	18

