

## Item description/product images



## Description

**Material:**

Body reinforced polyamide thermoplastic, black grey.  
Tapped bush 5.8 steel or stainless steel 1.4305.

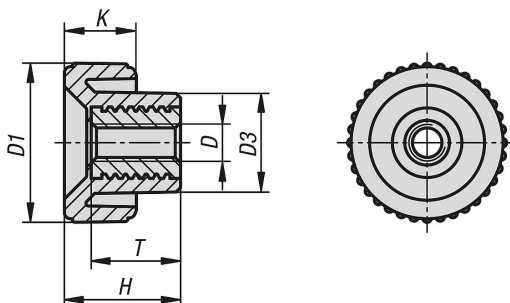
**Version:**

Tapped bush blue passivated steel or bright stainless steel.

**Advantages:**

The knurled nuts can be tightened or loosened without tools.  
Suitable for manual fixing and clamping.  
Various thread sizes.

## Drawings



## Overview of items

Order No.	Component material	D	D1	D3	H	K	T
06014-1804	steel	M4	18	11	13	8	10
06014-2005	steel	M5	20	13,6	15	9	10
06014-2006	steel	M6	20	13,6	15	9	10
06014-2505	steel	M5	25	14	17	10	10
06014-2506	steel	M6	25	14	17	10	10
06014-3208	steel	M8	32	18	22	13	14
06014-3210	steel	M10	32	18	22	13	14
06014-4008	steel	M8	40	19	25	14	14
06014-4010	steel	M10	40	19	25	14	14
06014-18042	stainless steel	M4	18	11	13	8	10
06014-20052	stainless steel	M5	20	13,6	15	9	10
06014-20062	stainless steel	M6	20	13,6	15	9	10
06014-25052	stainless steel	M5	25	14	17	10	10
06014-25062	stainless steel	M6	25	14	17	10	10
06014-32082	stainless steel	M8	32	18	22	13	14
06014-32102	stainless steel	M10	32	18	22	13	14
06014-40082	stainless steel	M8	40	19	25	14	14
06014-40102	stainless steel	M10	40	19	25	14	14