

Item description/product images



Description

Material:

Brass.

Lamellar insert polyamide (PA6).

Contact spring stainless steel (M12x1.5 does not have a contact spring).

Seal ring CR / NBR.

O-ring NBR.

Version:

nickel-plated.

Note:

DIN EN 60423 cable glands with metric thread. For shielded cables and lines. Quick and easy EMC connection of the shielding braid to the housing potential by contact spring and intermediate socket. Sealing and tension relief are provided by inset fins and a sealing washer.

Rating IP68 (5 bar for 30 min).

Cable glands are used for connecting cables and lines in housings, distributors and switch boxes.

Temperature range:

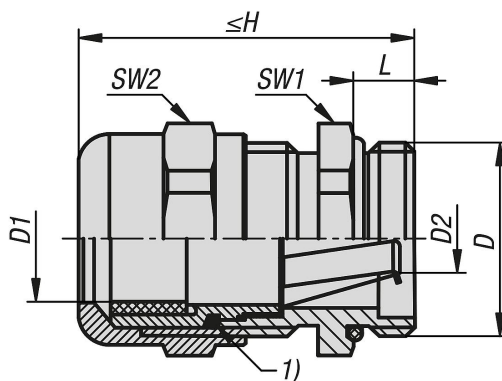
Static: -40 °C to +100 °C.

Dynamic: -20 °C to +100 °C.

Drawing reference:

1) O-ring M32x1.5

Drawings



Overview of items

Order No.	D	D1	D2	H max.	L	SW1	SW2	Max. tightening torque on SW1 Nm	Max. tightening torque on SW2 Nm
84100-15-12150	M12X1,5	3-6	-	25	5	14	14	3,5	3,5
84100-15-16150	M16x1,5	5-9	2-8	30	5	17	17	3,5	3,5
84100-15-20150	M20X1,5	9-13	3-11	33,5	6	22	22	3,5	3,5
84100-15-25150	M25x1,5	11-16	8-14	36,5	7	27	27	6,7	6,7
84100-15-32150	M32x1,5	14-20	10-19	38	8	34	34	12	12
84100-15-40150	M40X1,5	19-27	15-25	41	8	43	43	13,5	13,5

