

Item description/product images



Description

Material:

Stainless steel 1.4305.
Lamellar insert polyamide (PA6).
Seal ring CR / NBR.
O-ring NBR.

Version:

nickel-plated.

Note:

DIN EN 60423 cable glands with metric thread. For shielded cables and lines.
Sealing and tension relief are provided by inset fins and a sealing washer.

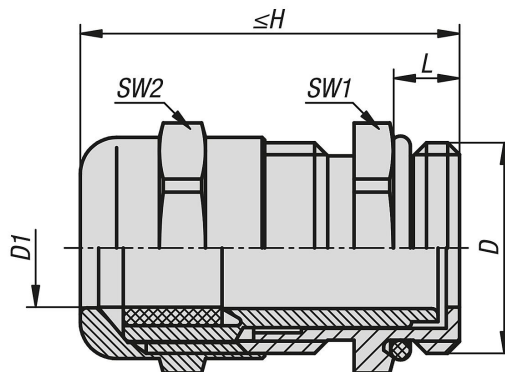
Rating IP68 (5 bar for 30 min).

Cable glands are used for connecting fixed cables and lines in housings, distributors and switch boxes.

Temperature range:

Static: -40 °C to +100 °C.
Dynamic: -20 °C to +100 °C.

Drawings



Overview of items

Order No.	D	D1	H max.	L	SW1	SW2	Max. tightening torque on SW1 Nm	Max. tightening torque on SW2 Nm
84100-20-16150	M16x1,5	5-9	30	5	17	17	3,5	3,5
84100-20-20150	M20x1,5	9-13	33,5	6	22	22	3,5	3,5
84100-20-25150	M25x1,5	11-16	36,5	7	27	27	6,7	6,7
84100-20-32150	M32x1,5	14-20	38	8	34	34	12	12