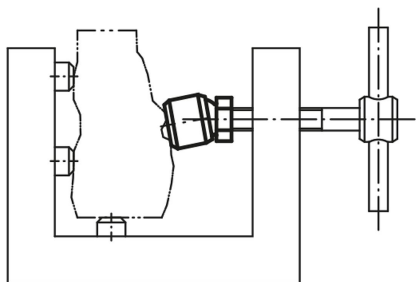


Item description/product images

INCH
Parts

Description

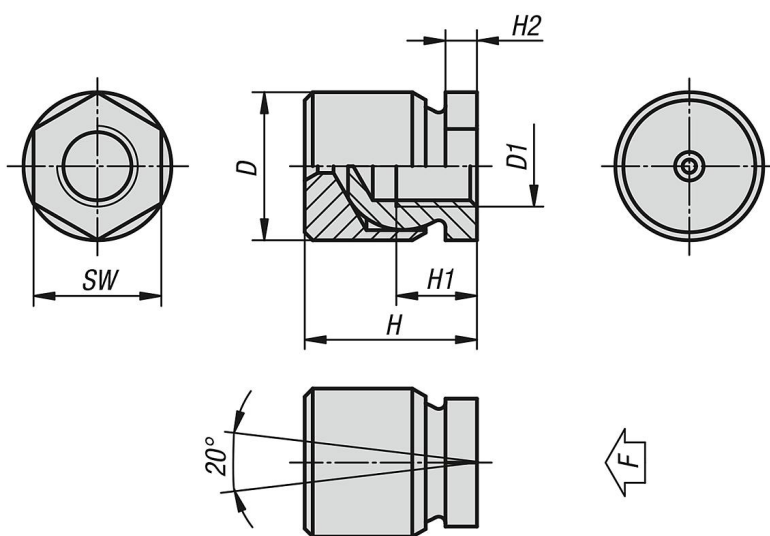
Material:

Ball element case-hardened steel.
Thrust pad ETG 100 steel.

Version:

Black oxidised.

Drawings



Overview of items

Order No.	D	D1	H	H1	H2	SW	Load rating max. kN
02110-A1	13	10-32	16,5	6,5	4	10	1,62
02110-A2	13	1/4-20	16,5	8,5	4	10	2,33
02110-A3	16	5/16-18	21	9	4	13	4,15
02110-A4	19	3/8-16	23	10	4	17	6,48
02110-A5	22	1/2-13	25,5	12	4,7	19	8,32
02110-A6	25	5/8-11	29,5	14	5	24	13,94
02110-A7	32	3/4-10	36	18	8,5	30	21

