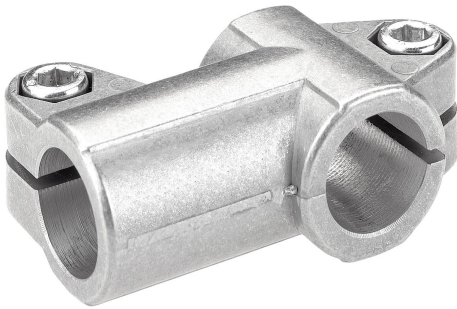


Item description/product images

INCH
Parts

Description

Material:

Cast aluminium.
DIN 7984 screws and DIN 985 nuts, steel.

Version:

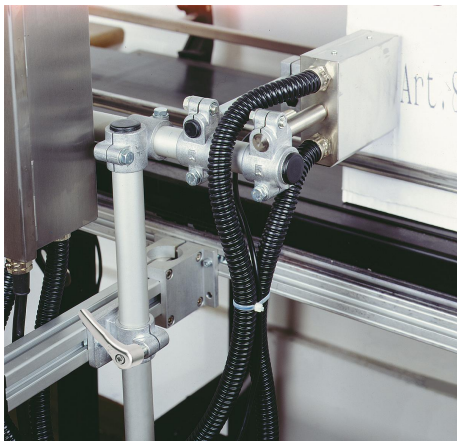
Vibratory ground.
Screws and nuts electro zinc-plated.

Note:

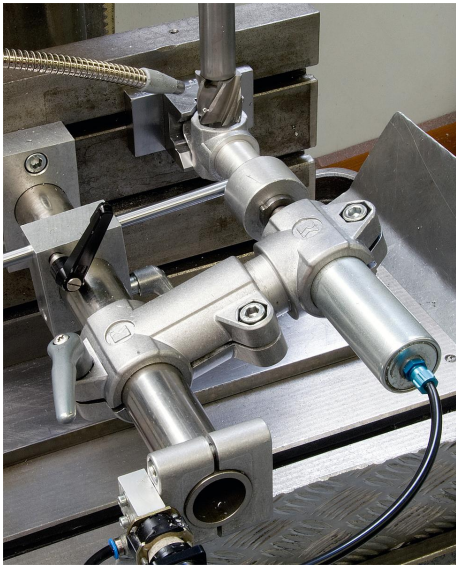
The dimensions for A and B are in inches, all other dimensions are in mm.

On request:

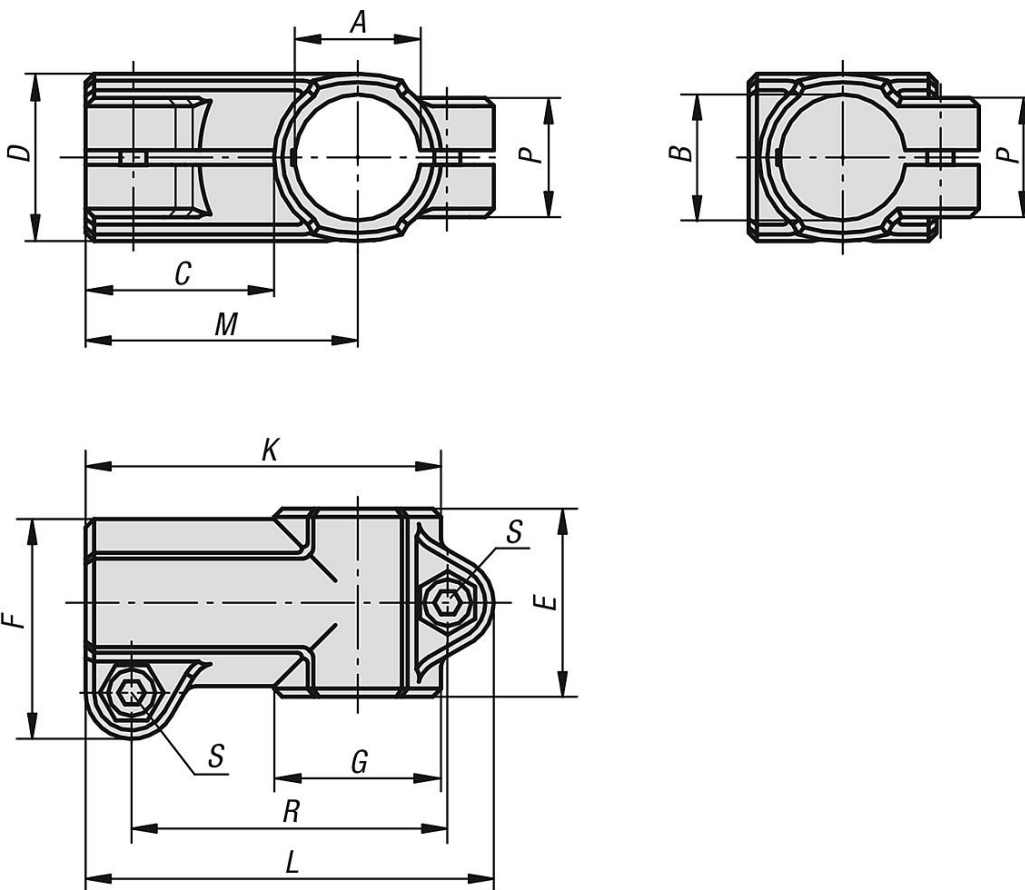
Clamping levers for tightening.



Item description/product images



Drawings



Overview of items

Order No.	A	B	C	D	E	F	G	H	K	L	M	P	R	S
29006-5CPCP	0.5	0.5	28	25	32	35,5	25	30	56	66	43	23	49	M6x20
29006-5CRCR	0.75	0.75	28	25	32	35,5	25	30	56	66	43	23	49	M6x20

Overview of items

Order No.	A	B	C	D	E	F	G	H	K	L	M	P	R	S
29006-5CSCS	1	1	38	40	45	53	40	42,5	80	93	60	33	72,5	M8x25
29006-5CTCT	1.25	1.25	38	40	45	53	40	42,5	80	93	60	33	72,5	M8x25
29006-5D2D2	1.5	1.5	55	56	60	74	56	61	116	134	88	40	108	M10x30
29006-5D4D4	2	2	63	66	66	84	66	71	131	149	98	45	123	M10x35