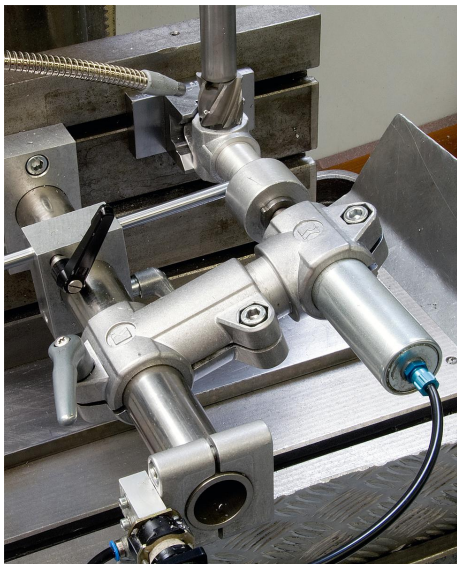
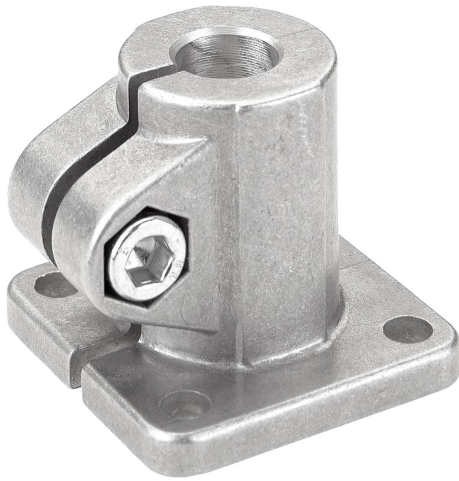


Item description/product images

INCH
Parts**Description****Material:**

Cast aluminium.

DIN 7984 screws and DIN 985 nuts, steel.

Version:

Vibratory ground.

Screws and nuts electro zinc-plated.

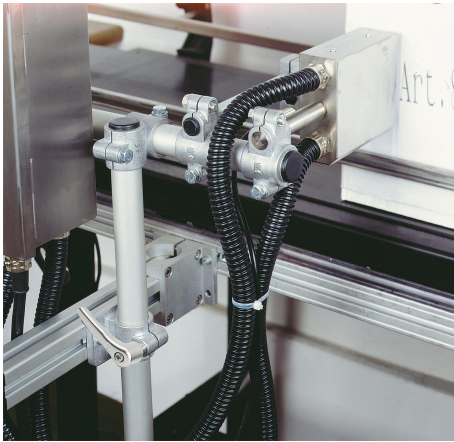
Note:

The dimensions for A are in inches, all other dimensions are in mm.

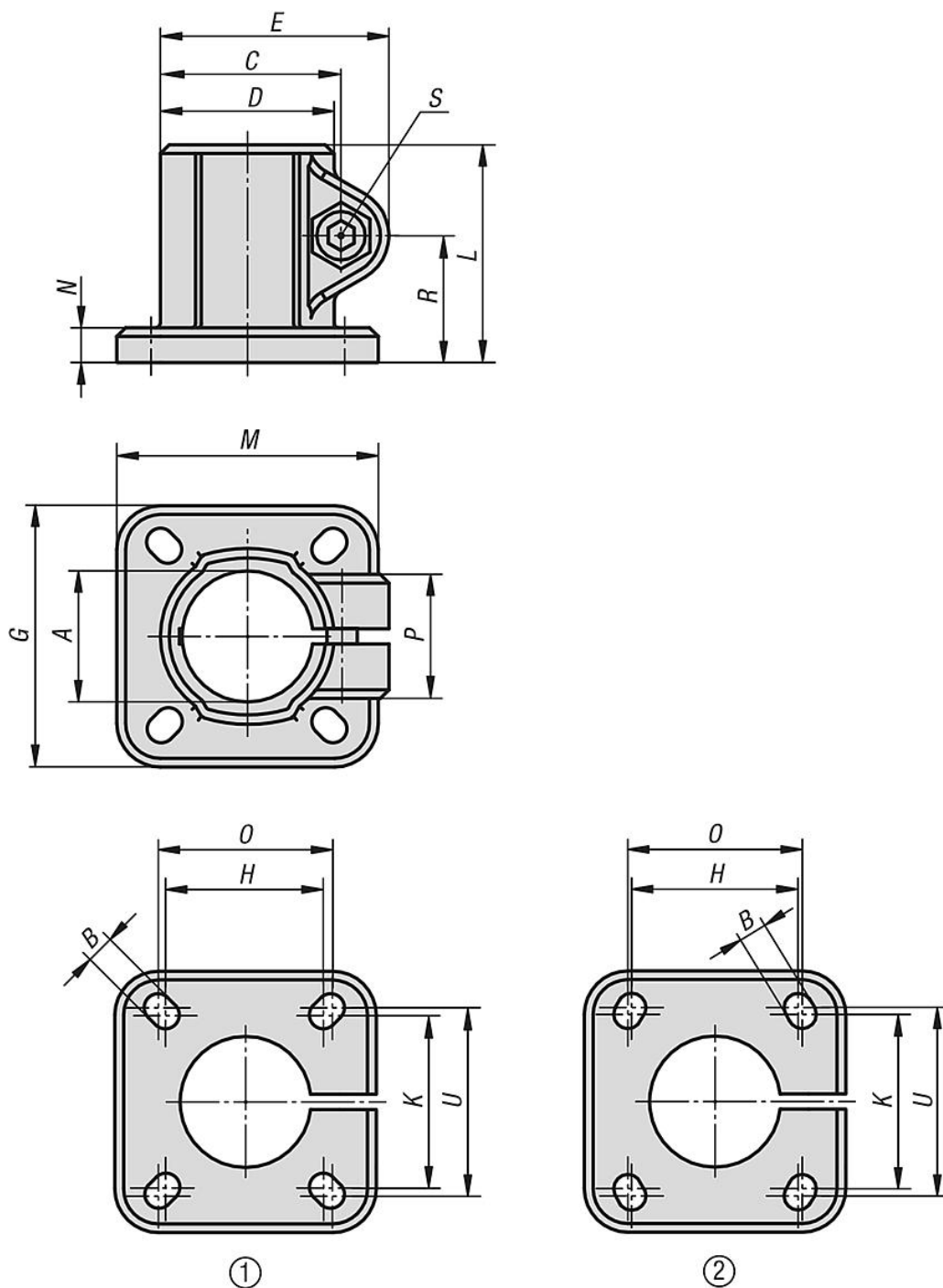
On request:

Clamping levers for tightening.

Item description/product images



Drawings



Overview of items

| Order No. | hole arrangement | A | B | C | D | E | G | H | K | L | M | N | O | P | R | S | U |
|-----------|------------------|------|----|------|----|------|-----|----|----|----|-----|----|----|----|------|--------|----|
| 29010-5CP | 1 | 0.5 | 6 | 27 | 25 | 35,5 | 42 | 28 | 28 | 37 | 42 | 5 | 30 | 23 | 21 | M6x20 | 30 |
| 29010-5CR | 1 | 0.75 | 6 | 27 | 25 | 35,5 | 42 | 28 | 28 | 37 | 42 | 5 | 30 | 23 | 21 | M6x20 | 30 |
| 29010-5CS | 2 | 1 | 7 | 42,5 | 40 | 53 | 60 | 40 | 42 | 50 | 60 | 8 | 42 | 33 | 29 | M8x25 | 45 |
| 29010-5D2 | 1 | 1.5 | 9 | 61 | 56 | 74 | 90 | 60 | 60 | 70 | 90 | 10 | 64 | 40 | 40 | M10x30 | 64 |
| 29010-5D4 | 1 | 2 | 11 | 70 | 66 | 84 | 105 | 74 | 74 | 85 | 105 | 14 | 80 | 45 | 49,5 | M10x35 | 80 |

