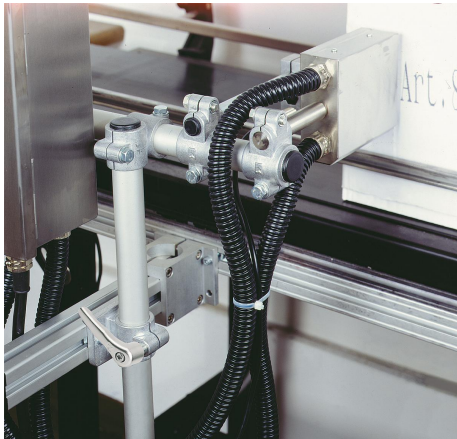


Item description/product images

INCH
Parts

Description

Material:

Cast aluminium.
DIN 7984 cap screws and DIN 985 hex nuts, steel.
From A = 20.1 DIN 931 hex head screws.

Version:

Vibratory ground.
Cap screw, hex head screw and hex nut.

Note:

The dimensions for A and B are in inches, all other dimensions are in mm.

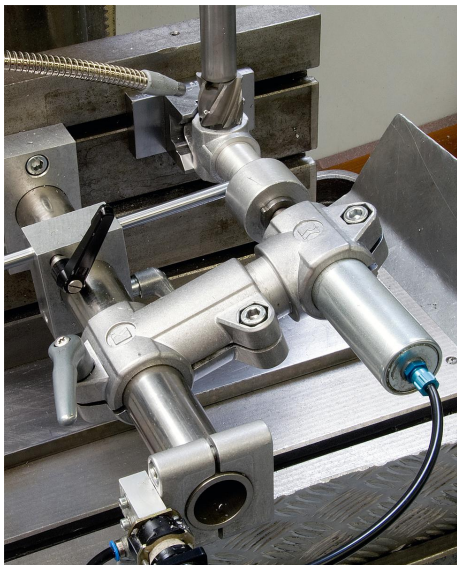
On request:

Clamping levers for tightening.

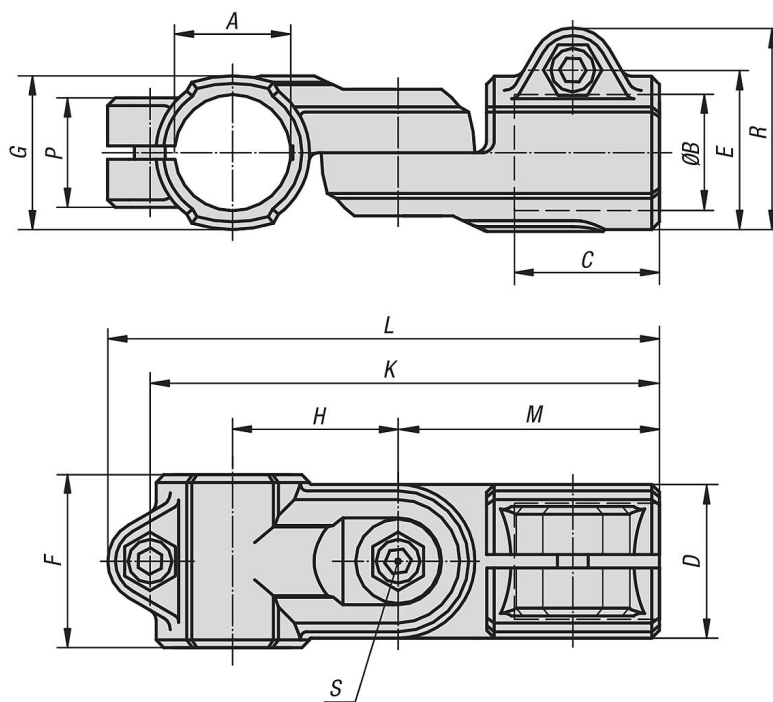
Function:

Swivel tube clamps can be infinitely rotated through 180°.

Item description/product images



Drawings



Overview of items

Order No.	A	B	C	D	E	F	G	H	K	L	M	P	R	S
29032-5CP	0.5	0.5	25	26	29,4	30	26	27	87	95,5	44	21	37,5	M6x18
29032-5CS	1	1	45	40	42	-	40	43	138	147	73	33	52	M8x35
29032-5CT	1.25	1.25	45	40	42	-	40	43	138	147	73	33	52	M8x35
29032-5D2	1.5	1.5	60	56	57	-	56	60	188	200	100	48	69	M10x50

