

Item description/product images

INCH
Parts

Description

Material:

Cast aluminium.
DIN 7984 screws and DIN 985 nuts, steel.

Version:

Vibratory ground.
Screws and nuts electro zinc-plated.

Note:

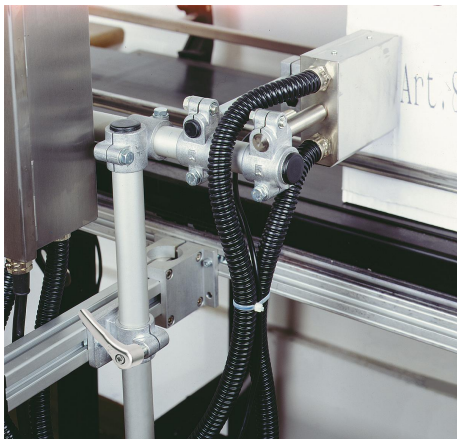
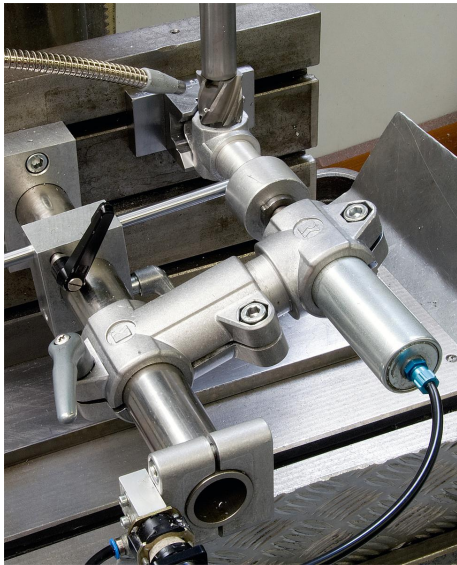
The dimensions for A are in inches, all other dimensions are in mm.

On request:

Clamping levers for tightening.

Function:

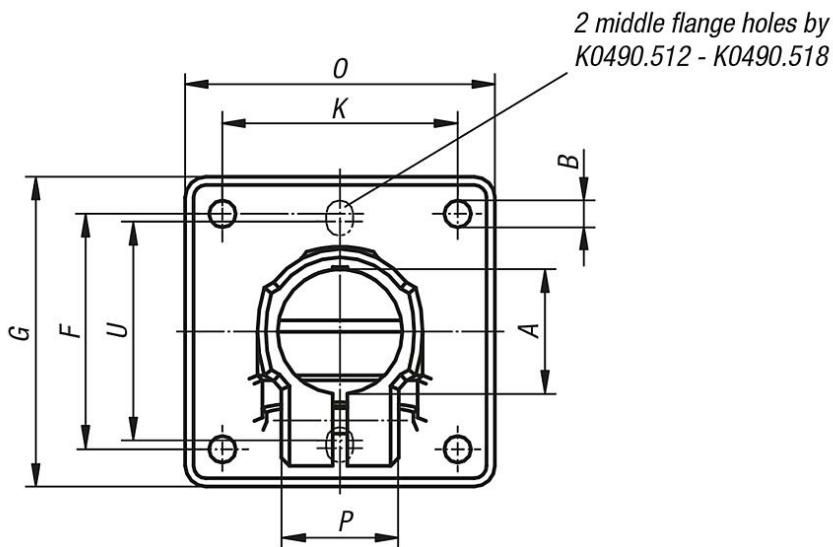
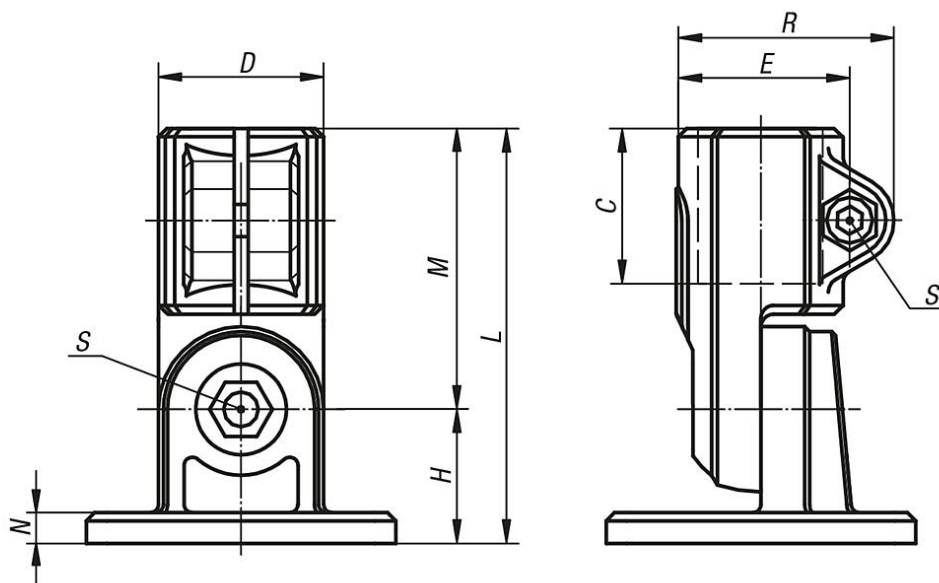
Tube swivel clamps can be seamlessly rotated through 180°.



Item description/product images



Drawings



Overview of items

Order No.	A	B	C	D	E	F	G	H	K	L	M	N	O	P	R	S	U
29036-5CP	0.5	6	25	26	29,4	40	50	20	40	64	44	5	35	21	37,5	M6x18	38
29036-5CS	1	7	45	40	42	57	75	33	57	106	73	7	75	33	52	M8x35	-
29036-5CT	1.25	7	45	40	42	57	75	33	57	106	73	7	75	33	52	M8x35	-
29036-5D2	1.5	9	60	56	57	76	100	44	76	144	100	10	100	48	69	M10x50	-
83300-01001700	8	10	-	3	7,5	-	-	-	-	45	-	-	-	4	-	-	-
83300-02002510	8	10	-	5	10	-	-	-	-	50	-	-	-	5	-	-	-
83300-03003511	8	10	-	4,5	10	-	-	-	-	60	-	-	-	5	-	-	-
83300-05005511	8	10	-	4,5	10	-	-	-	-	80	-	-	-	5	-	-	-
83300-08005511	8	10	-	4,5	10	-	-	-	-	80	-	-	-	5	-	-	-
83300-10005511	8	10	-	4,5	10	-	-	-	-	80	-	-	-	5	-	-	-
83300-12006011	-	12	-	4,3	12	-	-	-	-	90	-	-	-	10	-	-	-
83300-22011411	-	12	-	4,3	12	-	-	-	-	144	-	-	-	10	-	-	-