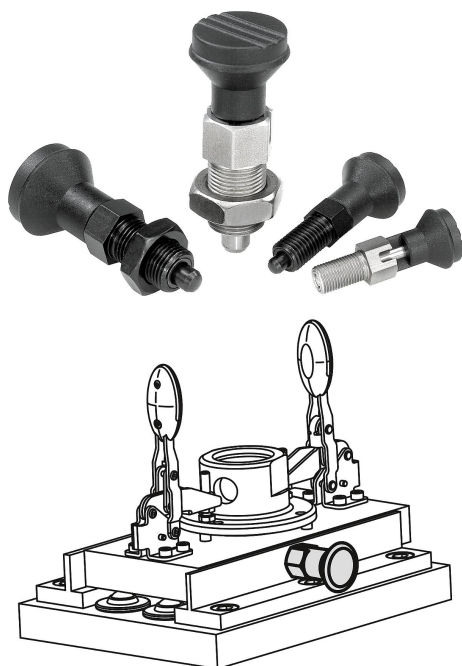


Item description/product images

INCH
Parts**Description****Material:**

Steel version:
Grub screw and indexing pin steel.

Stainless steel version:
Indexing pin hardened:
Threaded sleeve 1.4305.
Indexing pin 1.4034.

Indexing pin not hardened:
Threaded sleeve 1.4305.
Indexing pin 1.4305.

Mushroom grip black grey thermoplastic.

Version:

Steel version:
Threaded sleeve, black oxidised.
Indexing pin hardened, ground and black oxidised.

Stainless steel version:
Threaded sleeve, bright.
Indexing pin hardened, ground and bright.
Indexing pin not hardened, ground and bright.

Note:

Indexing plungers are used to prevent any change in locking position due to lateral forces. A new locking position can only be set after the pin has been manually disengaged. Form C or D is recommended for applications in which the pin is disengaged over extended periods and should be prevented from springing back.

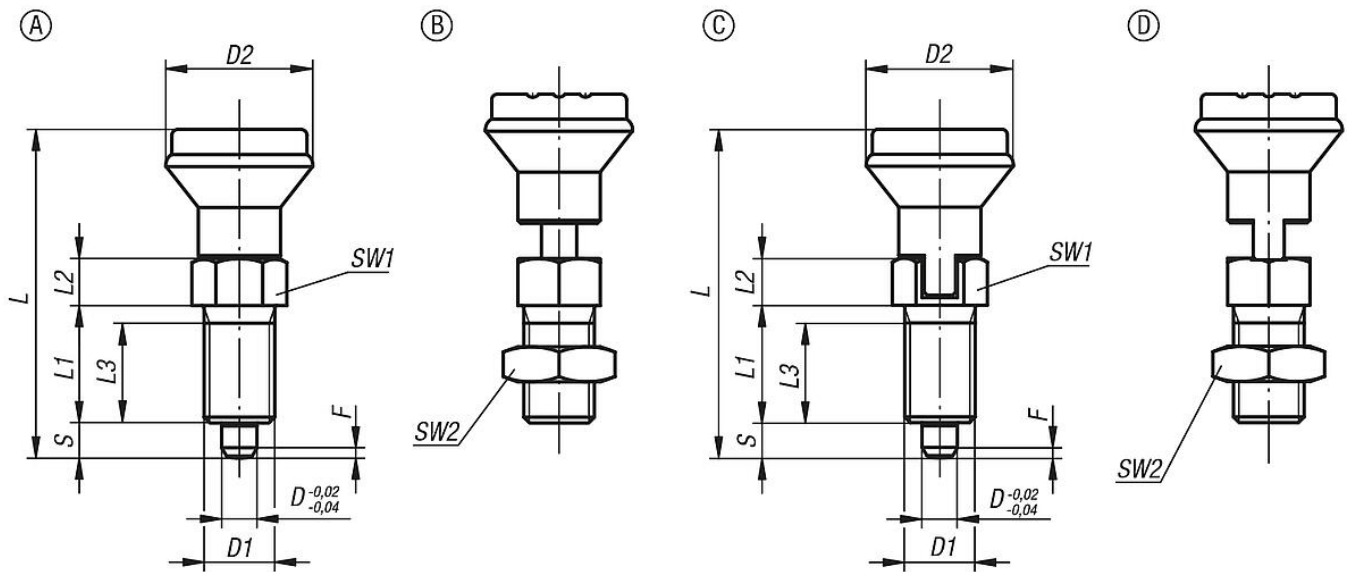
On request:

Special versions.

Drawing reference:

Form A: non-lockout type, without locknut
Form B: non-lockout type, with locknut
Form C: lockout type, without locknut
Form D: lockout type, with locknut

Drawings



Overview of items

Order No.	Form	Main material	locating pin	D	D1	D2	L	L1	L2	L3	Travel S	SW1	Fx30°	Spring force initial pressure F1 approx. N	Spring force final pressure F2 approx. N
03090-1005A4	A	steel	hardened	5	3/8-16	21	47	17	7	15	5	13	1,3	5	12
03090-1105AL	A	steel	hardened	5	3/8-24	21	47	17	7	15	5	13	1,3	5	12
03090-1206A5	A	steel	hardened	6	1/2-13	25	56	20	8	17	6	14	1,8	6	14
03090-1308A6	A	steel	hardened	8	5/8-11	33	74	26	10	23	8	19	2,3	15	35
03090-1410A7	A	steel	hardened	10	3/4-10	33	80	28	12	25	10	22	2,8	15	34
03090-01005A4	A	stainless steel	hardened	5	3/8-16	21	47	17	7	15	5	13	1,3	5	12
03090-01105AL	A	stainless steel	hardened	5	3/8-24	21	47	17	7	15	5	13	1,3	5	12
03090-01206A5	A	stainless steel	hardened	6	1/2-13	25	56	20	8	17	6	14	1,8	6	14
03090-01308A6	A	stainless steel	hardened	8	5/8-11	33	74	26	10	23	8	19	2,3	15	35
03090-01410A7	A	stainless steel	hardened	10	3/4-10	33	80	28	12	25	10	22	2,8	15	34
03090-11005A4	A	stainless steel	not hardened	5	3/8-16	21	47	17	7	15	5	13	1,3	5	12
03090-11105AL	A	stainless steel	not hardened	5	3/8-24	21	47	17	7	15	5	13	1,3	5	12
03090-11206A5	A	stainless steel	not hardened	6	1/2-13	25	56	20	8	17	6	14	1,8	6	14
03090-11308A6	A	stainless steel	not hardened	8	5/8-11	33	74	26	10	23	8	19	2,3	15	35
03090-11410A7	A	stainless steel	not hardened	10	3/4-10	33	80	28	12	25	10	22	2,8	15	34
03090-12206A5	B	stainless steel	not hardened	6	1/2-13	25	56	20	8	17	6	14	1,8	6	14
03090-12105AL	B	stainless steel	not hardened	5	3/8-24	21	47	17	7	15	5	13	1,3	5	12
03090-2105AL	B	steel	hardened	5	3/8-24	21	47	17	7	15	5	13	1,3	5	12
03090-2206A5	B	steel	hardened	6	1/2-13	25	56	20	8	17	6	14	1,8	6	14
03090-12005A4	B	stainless steel	not hardened	5	3/8-16	21	47	17	7	15	5	13	1,3	5	12
03090-02410A7	B	stainless steel	hardened	10	3/4-10	33	80	28	12	25	10	22	2,8	15	34
03090-02005A4	B	stainless steel	hardened	5	3/8-16	21	47	17	7	15	5	13	1,3	5	12
03090-02206A5	B	stainless steel	hardened	6	1/2-13	25	56	20	8	17	6	14	1,8	6	14
03090-02105AL	B	stainless steel	hardened	5	3/8-24	21	47	17	7	15	5	13	1,3	5	12
03090-2308A6	B	steel	hardened	8	5/8-11	33	74	26	10	23	8	19	2,3	15	35
03090-12410A7	B	stainless steel	not hardened	10	3/4-10	33	80	28	12	25	10	22	2,8	15	34
03090-02308A6	B	stainless steel	hardened	8	5/8-11	33	74	26	10	23	8	19	2,3	15	35
03090-2005A4	B	steel	hardened	5	3/8-16	21	47	17	7	15	5	13	1,3	5	12
03090-2410A7	B	steel	hardened	10	3/4-10	33	80	28	12	25	10	22	2,8	15	34
03090-12308A6	B	stainless steel	not hardened	8	5/8-11	33	74	26	10	23	8	19	2,3	15	35
03090-3005A4	C	steel	hardened	5	3/8-16	21	47	17	7	15	5	13	1,3	5	12
03090-3105AL	C	steel	hardened	5	3/8-24	21	47	17	7	15	5	13	1,3	5	12
03090-3206A5	C	steel	hardened	6	1/2-13	25	56	20	8	17	6	14	1,8	6	14
03090-3308A6	C	steel	hardened	8	5/8-11	33	74	26	10	23	8	19	2,3	15	35
03090-3410A7	C	steel	hardened	10	3/4-10	33	80	28	12	25	10	22	2,8	15	34
03090-03005A4	C	stainless steel	hardened	5	3/8-16	21	47	17	7	15	5	13	1,3	5	12
03090-03105AL	C	stainless steel	hardened	5	3/8-24	21	47	17	7	15	5	13	1,3	5	12
03090-03206A5	C	stainless steel	hardened	6	1/2-13	25	56	20	8	17	6	14	1,8	6	14
03090-03308A6	C	stainless steel	hardened	8	5/8-11	33	74	26	10	23	8	19	2,3	15	35

Overview of items

Order No.	Form	Main material	locating pin	D	D1	D2	L	L1	L2	L3	Travel S	SW1	Fx30°	Spring force initial pressure F1 approx. N	Spring force final pressure F2 approx. N
03090-03410A7	C	stainless steel	hardened	10	3/4-10	33	80	28	12	25	10	22	2,8	15	34
03090-13005A4	C	stainless steel	not hardened	5	3/8-16	21	47	17	7	15	5	13	1,3	5	12
03090-13105AL	C	stainless steel	not hardened	5	3/8-24	21	47	17	7	15	5	13	1,3	5	12
03090-13206A5	C	stainless steel	not hardened	6	1/2-13	25	56	20	8	17	6	14	1,8	6	14
03090-13308A6	C	stainless steel	not hardened	8	5/8-11	33	74	26	10	23	8	19	2,3	15	35
03090-13410A7	C	stainless steel	not hardened	10	3/4-10	33	80	28	12	25	10	22	2,8	15	34
03090-4005A4	D	steel	hardened	5	3/8-16	21	47	17	7	15	5	13	1,3	5	12
03090-4105AL	D	steel	hardened	5	3/8-24	21	47	17	7	15	5	13	1,3	5	12
03090-4206A5	D	steel	hardened	6	1/2-13	25	56	20	8	17	6	14	1,8	6	14
03090-4308A6	D	steel	hardened	8	5/8-11	33	74	26	10	23	8	19	2,3	15	35
03090-4410A7	D	steel	hardened	10	3/4-10	33	80	28	12	25	10	22	2,8	15	34
03090-04005A4	D	stainless steel	hardened	5	3/8-16	21	47	17	7	15	5	13	1,3	5	12
03090-04105AL	D	stainless steel	hardened	5	3/8-24	21	47	17	7	15	5	13	1,3	5	12
03090-04206A5	D	stainless steel	hardened	6	1/2-13	25	56	20	8	17	6	14	1,8	6	14
03090-04308A6	D	stainless steel	hardened	8	5/8-11	33	74	26	10	23	8	19	2,3	15	35
03090-04410A7	D	stainless steel	hardened	10	3/4-10	33	80	28	12	25	10	22	2,8	15	34
03090-14005A4	D	stainless steel	not hardened	5	3/8-16	21	47	17	7	15	5	13	1,3	5	12
03090-14105AL	D	stainless steel	not hardened	5	3/8-24	21	47	17	7	15	5	13	1,3	5	12
03090-14206A5	D	stainless steel	not hardened	6	1/2-13	25	56	20	8	17	6	14	1,8	6	14
03090-14308A6	D	stainless steel	not hardened	8	5/8-11	33	74	26	10	23	8	19	2,3	15	35
03090-14410A7	D	stainless steel	not hardened	10	3/4-10	33	80	28	12	25	10	22	2,8	15	34