

Item description/product images

INCH
Parts



Description

Material:

Grip black thermoplastic.
Bush and screw steel 5.8 or stainless steel 1.4305.

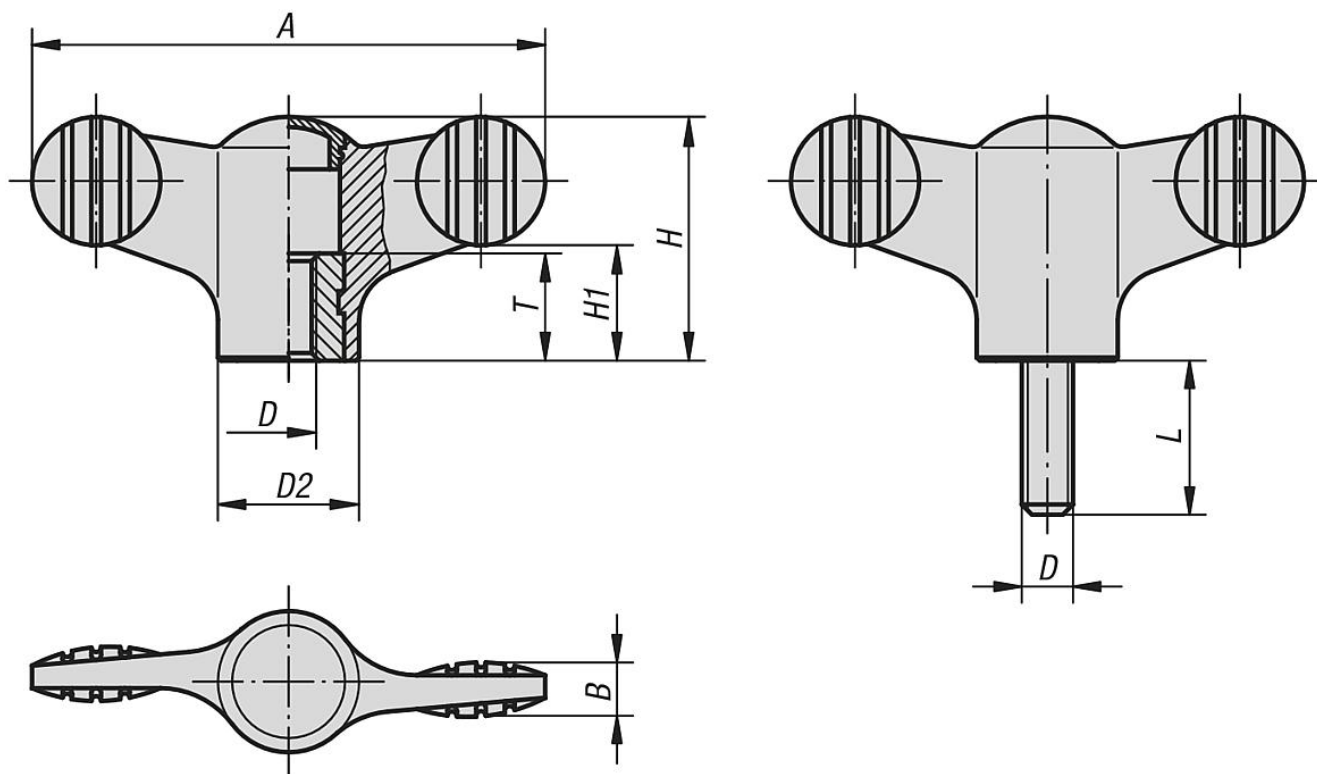
Version:

Bush or screw trivalent blue passivated steel or bright stainless steel.

Note:

For the inch series, dimension D is in inches, all other dimensions are in mm.

Drawings



Overview of items

Wing Grips, internal thread, inch

Order No. steel	Order No. stainless steel	D	D2	A	B	H	H1	T
06652-9AEΔ	06652-09AEΔ	8-32	12	38	4,5	18	8,5	10
06652-9A1Δ	06652-09A1Δ	10-32	12	38	4,5	18	8,5	10
06652-9A2Δ	06652-09A2Δ	1/4-20	12	38	4,5	18	8,5	10
06652-1A1Δ	06652-01A1Δ	10-32	14	50	5	24	11,5	10
06652-1A2Δ	06652-01A2Δ	1/4-20	14	50	5	24	11,5	10
06652-2A3Δ	06652-02A3Δ	5/16-18	21	75	7	35,6	16,5	14
06652-2A4Δ	06652-02A4Δ	3/8-16	21	75	7	35,6	16,5	14

Overview of items

Wing Grips, external thread, inch

Main colour	Order No. steel	Order No. stainless steel	D	D2	A	B	H	H1	L
black grey RAL 7021	06652-9AEΔX	06652-09AEΔX	8-32	12	38	4,5	18	8,5	10/20
black grey RAL 7021	06652-9A1ΔX	06652-09A1ΔX	10-32	12	38	4,5	18	8,5	10/20
black grey RAL 7021	06652-9A2ΔX	06652-09A2ΔX	1/4-20	12	38	4,5	18	8,5	20/30/40
black grey RAL 7021	06652-1A1ΔX	06652-01A1ΔX	10-32	14	50	5	24	11,5	10/20
black grey RAL 7021	06652-1A2ΔX	06652-01A2ΔX	1/4-20	14	50	5	24	11,5	20/30/40
black grey RAL 7021	06652-1A3ΔX	06652-01A3ΔX	5/16-18	14	50	5	24	11,5	20/40
black grey RAL 7021	06652-2A3ΔX	06652-02A3ΔX	5/16-18	21	75	7	35,6	16,5	20/40
black grey RAL 7021	06652-2A4ΔX	06652-02A4ΔX	3/8-16	21	75	7	35,6	16,5	20/40