

Item description/product images



Description

Material:

Black thermoset PF 31.
Hub nickel-plated steel or bright 1.4305 stainless steel.

Version:

High-gloss polished.

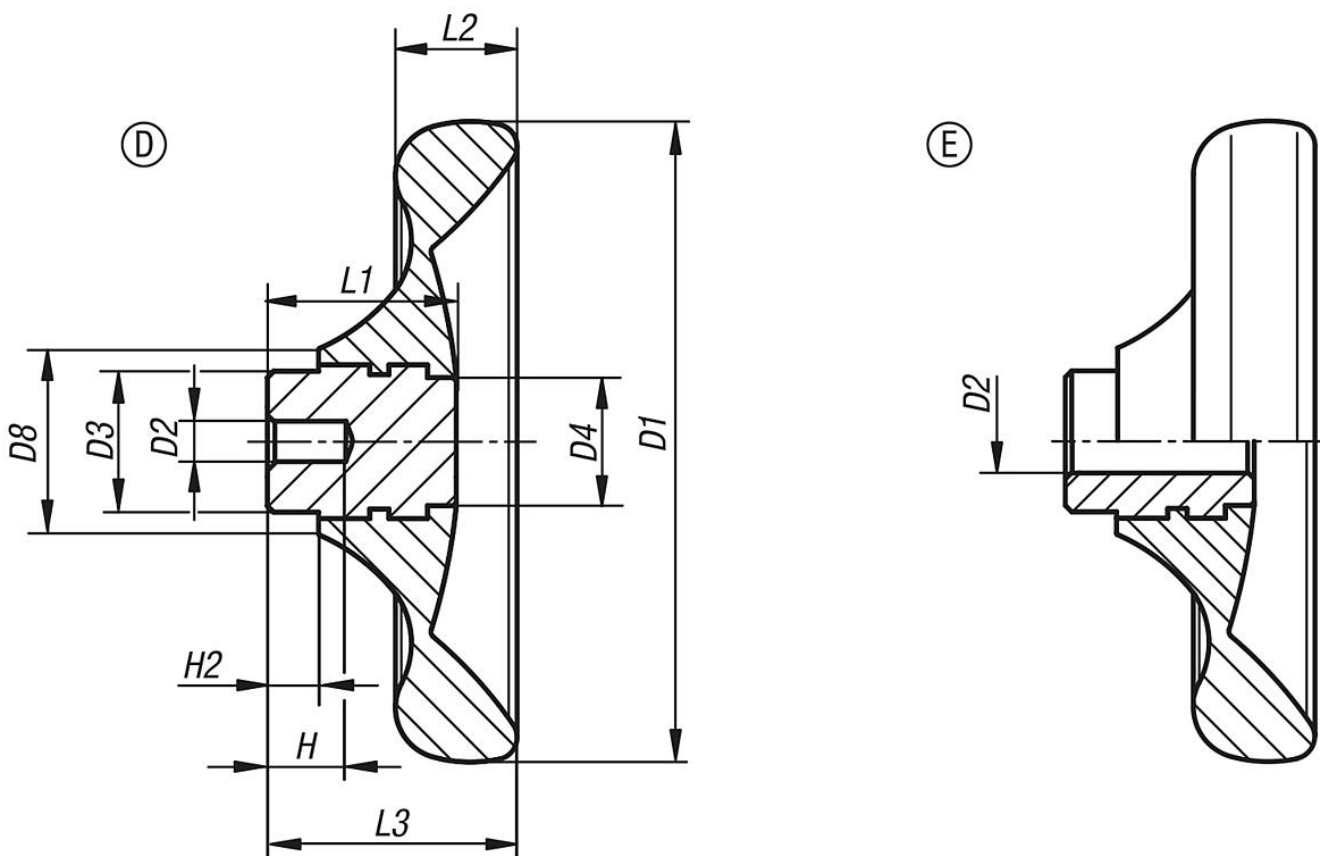
On request:

Other reamed hole sizes.

Drawing reference:

Form D: pilot hole
Form E: reamed hole

Drawings



Overview of items

Disc Handwheels without taper grip, bushing in steel, inch

Order No.	Form	Size	D1	D2	D3	D4	D8	H2	L1	L2	L3
06288-1100XCM	E	1	100	0,25	22	20	29	8	29,5	19	39
06288-1125XCO	E	2	125	0,375	26	21	34	8	34	24	46
06288-1140XCP	E	3	140	0,5	30	25	39	8	38,5	27	52
06288-1160XCQ	E	4	160	0,625	33	30	43	8	41,3	30,1	57
06288-1160XCR	E	4	160	0,75	33	30	43	8	41,3	30,1	57

Overview of items

Disc Handwheels without taper grip, bushing in stainless steel, inch

Order No.	Form	Size	D1	D2	D3	D4	D8	H2	L1	L2	L3
06288-3100XCM	E	1	100	0,25	22	20	29	8	29,5	19	39
06288-3125XC0	E	2	125	0,375	26	21	34	8	34	24	46
06288-3140XCP	E	3	140	0,5	30	25	39	8	38,5	27	52
06288-3160XCQ	E	4	160	0,625	33	30	43	8	41,3	30,1	57
06288-3160XCR	E	4	160	0,75	33	30	43	8	41,3	30,1	57