

Item description/product images



Description

Product description:

These pull handles are extremely robust and can be used where rough usage is expected and corrosion resistance required.

Material:

1.4301 or 1.4404 stainless steel.

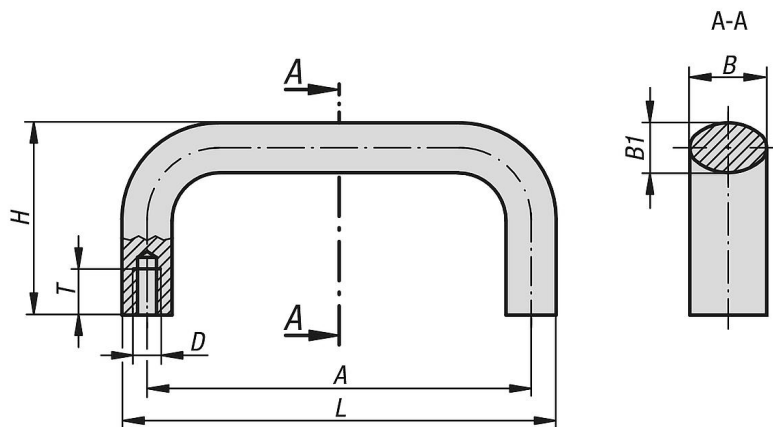
Version:

Polished or blasted.

Assembly:

From the rear.

Drawings



Overview of items

Order No.	Steel code	Surface finish body	A	B	B1	D	H	L	T	Load capacity N
06920-05-100160061	1.4301	blasted	100	21	13	M6	50	113	12	1000
06920-05-112160061	1.4301	blasted	112	21	13	M6	50	125	12	1000
06920-05-120160061	1.4301	blasted	120	21	13	M6	50	133	12	1000
06920-05-128160061	1.4301	blasted	128	21	13	M6	50	141	12	1000
06920-05-160160061	1.4301	blasted	160	21	13	M6	50	173	12	1000
06920-05-100161061	1.4301	polished	100	21	13	M6	50	113	12	1000
06920-05-112161061	1.4301	polished	112	21	13	M6	50	125	12	1000
06920-05-120161061	1.4301	polished	120	21	13	M6	50	133	12	1000
06920-05-128161061	1.4301	polished	128	21	13	M6	50	141	12	1000
06920-05-160161061	1.4301	polished	160	21	13	M6	50	173	12	1000
06920-05-100160062	1.4404	blasted	100	21	13	M6	50	113	12	1000
06920-05-112160062	1.4404	blasted	112	21	13	M6	50	125	12	1000
06920-05-120160062	1.4404	blasted	120	21	13	M6	50	133	12	1000
06920-05-128160062	1.4404	blasted	128	21	13	M6	50	141	12	1000
06920-05-160160062	1.4404	blasted	160	21	13	M6	50	173	12	1000
06920-05-100161062	1.4404	Polished	100	21	13	M6	50	113	12	1000
06920-05-112161062	1.4404	Polished	112	21	13	M6	50	125	12	1000
06920-05-120161062	1.4404	Polished	120	21	13	M6	50	133	12	1000
06920-05-128161062	1.4404	Polished	128	21	13	M6	50	141	12	1000
06920-05-160161062	1.4404	Polished	160	21	13	M6	50	173	12	1000

