

Item description/product images



Description

Material:

Stainless steel 1.4404.

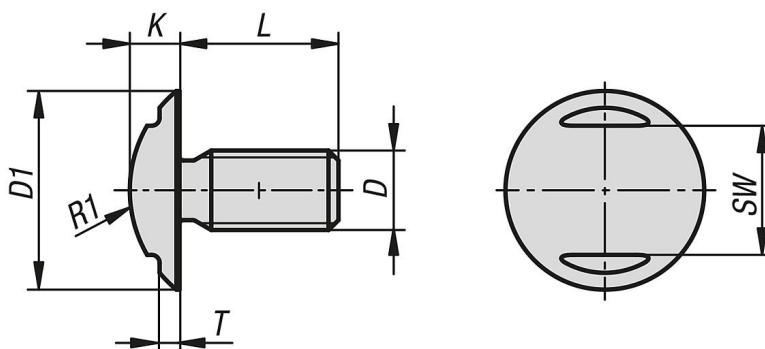
Version:

Polished.

Note:

Ideal elements for fastening cladding panels, Plexiglas covers etc. The oversized flange and the thread undercut ensure a stress-free, uniform force distribution on the respective surfaces. Projecting edges are kept to a minimum by the head height being kept as low as possible. An open-end spanner is used to screw the fastener in. The surface of the ball head screw is polished and, with regard to design optimised for the use in hygienic environments. The surface is polished to a surface finish of less than Ra 0.8 µm. Dirt and residue from products or cleaners seldom adheres and easy cleaning is ensured.

Drawings



Overview of items

Ball head screw in Hygienic DESIGN

Order No.	D	D1	K	T	SW	R1	L
07175-02-03X6	M3	8	2	0,6	5	5,2	6
07175-02-03X8	M3	8	2	0,6	5	5,2	8
07175-02-03X10	M3	8	2	0,6	5	5,2	10
07175-02-03X12	M3	8	2	0,6	5	5,2	12
07175-02-03X16	M3	8	2	0,6	5	5,2	16
07175-02-03X20	M3	8	2	0,6	5	5,2	20
07175-02-03X25	M3	8	2	0,6	5	5,2	25
07175-02-03X30	M3	8	2	0,6	5	5,2	30
07175-02-04X8	M4	11	3	1	6	6,7	8
07175-02-04X10	M4	11	3	1	6	6,7	10
07175-02-04X12	M4	11	3	1	6	6,7	12
07175-02-04X16	M4	11	3	1	6	6,7	16
07175-02-04X20	M4	11	3	1	6	6,7	20
07175-02-04X25	M4	11	3	1	6	6,7	25
07175-02-04X30	M4	11	3	1	6	6,7	30
07175-02-05X10	M5	14	4	1	8	8,6	10
07175-02-05X12	M5	14	4	1	8	8,6	12
07175-02-05X16	M5	14	4	1	8	8,6	16
07175-02-05X20	M5	14	4	1	8	8,6	20
07175-02-05X25	M5	14	4	1	8	8,6	25

Overview of items

Order No.	D	D1	K	T	SW	R1	L
07175-02-05X30	M5	14	4	1	8	8,6	30
07175-02-06X12	M6	17	5	1,5	10	10	12
07175-02-06X16	M6	17	5	1,5	10	10	16
07175-02-06X20	M6	17	5	1,5	10	10	20
07175-02-06X25	M6	17	5	1,5	10	10	25
07175-02-06X30	M6	17	5	1,5	10	10	30
07175-02-08X16	M8	20	5	1,5	13	13	16
07175-02-08X20	M8	20	5	1,5	13	13	20
07175-02-08X25	M8	20	5	1,5	13	13	25
07175-02-08X30	M8	20	5	1,5	13	13	30
07175-02-08X35	M8	20	5	1,5	13	13	35
07175-02-08X40	M8	20	5	1,5	13	13	40
07175-02-10X20	M10	22	6	1,5	15	13,5	20
07175-02-10X25	M10	22	6	1,5	15	13,5	25
07175-02-10X30	M10	22	6	1,5	15	13,5	30
07175-02-10X35	M10	22	6	1,5	15	13,5	35
07175-02-10X40	M10	22	6	1,5	15	13,5	40
07175-02-12X25	M12	27	7,5	1,5	19	16,3	25
07175-02-12X30	M12	27	7,5	1,5	19	16,3	30
07175-02-12X35	M12	27	7,5	1,5	19	16,3	35
07175-02-12X40	M12	27	7,5	1,5	19	16,3	40
07175-02-12X50	M12	27	7,5	1,5	19	16,3	50
07175-02-16X30	M16	36	9	1,5	24	23	30
07175-02-16X35	M16	36	9	1,5	24	23	35
07175-02-16X40	M16	36	9	1,5	24	23	40
07175-02-16X50	M16	36	9	1,5	24	23	50