

Item description/product images



Description

Material:

Housing and actuation: 1.4404.
Earthing nut and ratchet screw: 1.4301.
Seal: blue silicon, FDA conform.
Tongue 1.4301.

Version:

Bright.

Note:

The hygienic stainless steel quarter turn lock prevents bacterial attack and fulfils the strict regulations of testing principles for foodstuff machinery and hygien. The well conceived geometric form, the mirror polished stainless steel surface and the central circumferential seal reliably prevent dirt accumulation. Water, cleaning agents etc. can drain off fully and so prevent contamination.

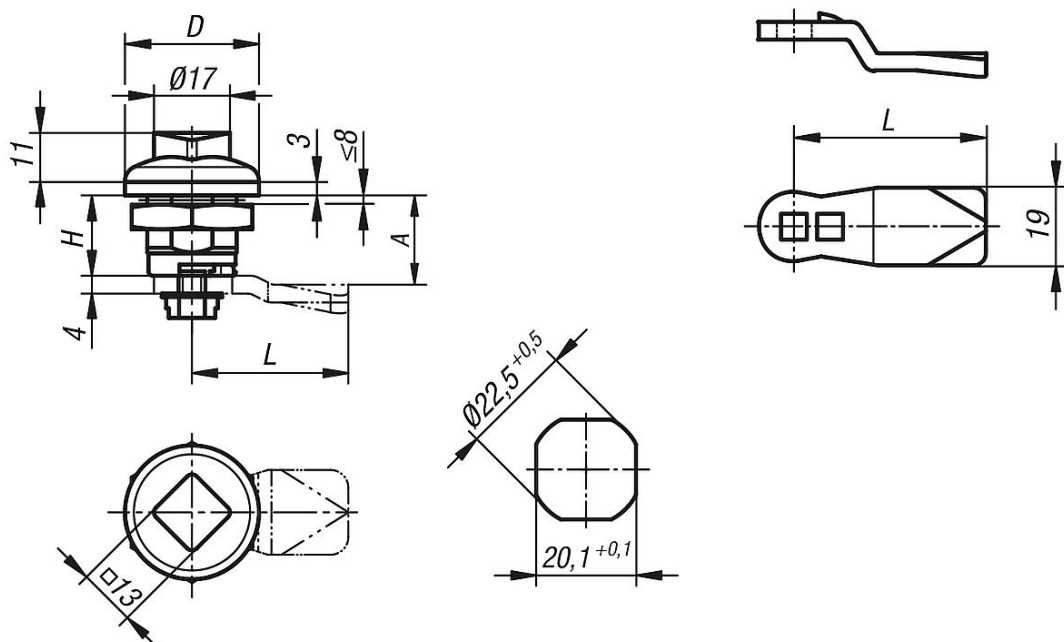
Especially in processes where the resistance of the seal to cleaning and disinfection agents is very important, optimised control cabinets, terminal boxes and command panels are a must. Specifically designed after the principles of Hygienic DESIGN, the hygienic quarter turn lock HD fulfils the strict regulations of the foodstuff processing industry and passes therefore optimally in their professional hygienic applications. The special seal is suitable for high pressure washing up to max. 100 bar and fulfils IP65/67. Furthermore, the seal is temperature stable up to 80 °C and the blue colour satisfies FDA regulations (reliably prevents a confusion with foodstuffs).

Please order required tongue version separately. Every tongue can be combined with every housing.

Accessory:

Tongue for stainless steel quarter-turn lock 05566-07.

Drawings



Overview of items

Quarter-turn locks, stainless steel in Hygienic DESIGN

Order No.	Actuation	D	H
05595-02-18	square	30	18

Tongue for quarter-turn lock

Order No.	A	L
05566-07-45060	6	45
05566-07-45080	8	45
05566-07-45100	10	45
05566-07-45140	14	45
05566-07-45160	16	45
05566-07-45180	18	45
05566-07-45200	20	45
05566-07-45220	22	45
05566-07-45240	24	45
05566-07-45260	26	45
05566-07-45280	28	45
05566-07-45320	32	45
05566-07-45500	50	45