

Item description/product images



Description

Product description:

These tubular handles impresses with a combination of solid appearance, high stability and extreme lightness. The patented fastening system enables the handles to be installed from the rear with no screws visible from the front. With its easy-to-clean and abrasion-resistant surface, the handle also blends in perfectly with its surroundings.

Material:

Tube oval aluminium EN AW-6060.
Tapped bush steel.

Version:

Anodised natural tone or powder-coated black, ruby red RAL 3003 or traffic red RAL 3020.

Note:

Fastening materials are not supplied. Cap screws with thread lock are recommended for a secure and long-lasting attachment.

Assembly:

The tubular handle can be mounted from the rear. DIN socket head screws or hexagon head bolts with thread size M8 are provided for this purpose.

Advantages:

Solid appearance combined with low weight

Timeless elegant design.

Ergonomic handle shape.

Patented fastening system for rear mounting.

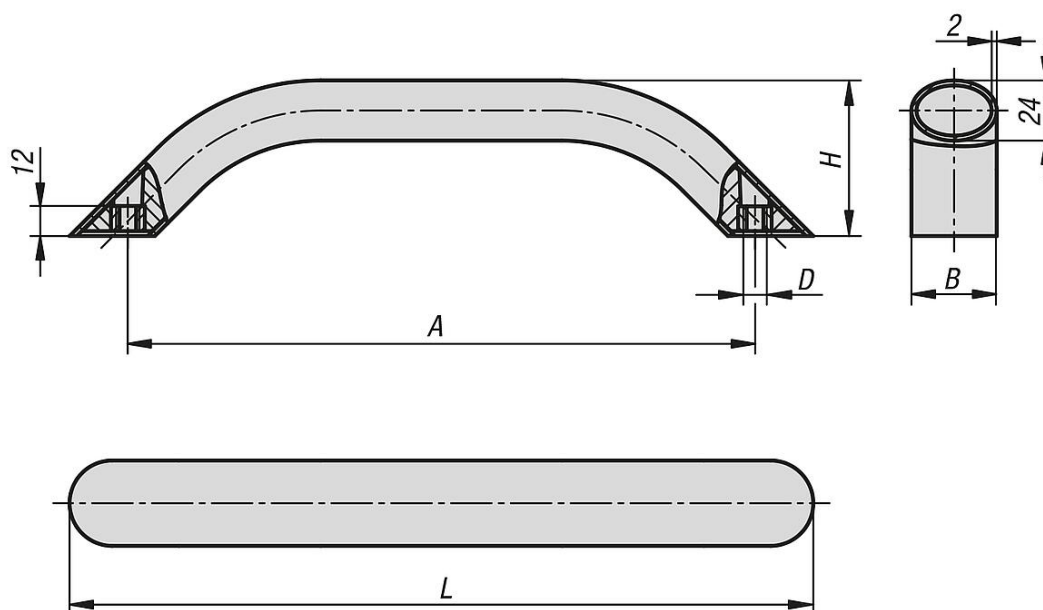
Accessory:

07160 Socket head screws DIN 912 / DIN EN ISO 4762 with thread lock

07160 Socket head screws DIN 912 / DIN EN ISO 4762

07171 Hex head screws DIN 933 / DIN-EN-ISO 4017

Drawings



Overview of items

Tubular handles oval, aluminium

Order No.	Main colour	Surface finish body	A	B	D	H	L	Load capacity N
06938-02-250083	natural	anodised	250	34	M8	62	296,4	1000
06938-02-300083	natural	anodised	300	34	M8	62	346,4	1000
06938-02-400083	natural	anodised	400	34	M8	62	446,4	1000
06938-02-500083	natural	anodised	500	34	M8	62	546,4	1000
06938-02-250081	black	powder-coated	250	34	M8	62	296,4	1000
06938-02-300081	black	powder-coated	300	34	M8	62	346,4	1000
06938-02-400081	black	powder-coated	400	34	M8	62	446,4	1000
06938-02-500081	black	powder-coated	500	34	M8	62	546,4	1000
06938-02-2500827	ruby red RAL3003	powder-coated	250	34	M8	62	296,4	1000
06938-02-3000827	ruby red RAL3003	powder-coated	300	34	M8	62	346,4	1000
06938-02-4000827	ruby red RAL3003	powder-coated	400	34	M8	62	446,4	1000
06938-02-5000827	ruby red RAL3003	powder-coated	500	34	M8	62	546,4	1000
06938-02-2500884	traffic red RAL 3020	powder-coated	250	34	M8	62	296,4	1000
06938-02-3000884	traffic red RAL 3020	powder-coated	300	34	M8	62	346,4	1000
06938-02-4000884	traffic red RAL 3020	powder-coated	400	34	M8	62	446,4	1000
06938-02-5000884	traffic red RAL 3020	powder-coated	500	34	M8	62	546,4	1000