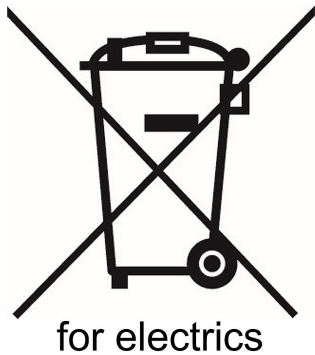


Item description/product images



Description

Material:

Housing thermoplastic.

Version:

Operating principle: Magnetic, reed contacts.

Voltage type: DC (direct current).

Installation type: Quasi-flush.

Rating: IP67.

Note for ordering:

A matching actuator for the respective safety switch is required. The actuator must be ordered separately.

Note:

Magnetic safety switch for use on safety doors, safety covers and hatches. Opening the safety device automatically leads to a safe system shutdown.

The safety switch operates without contact via a magnetically coded system. The electronics are located in a fully encapsulated housing. Depending on the version, the switched status is indicated via an LED.

Certificates:

TÜV, cULus, EAC.

Standards met:

ISO 13849-1, IEC 60947-5-3, BG-GS-ET-14.

Temperature range:

-25 °C to +70 °C

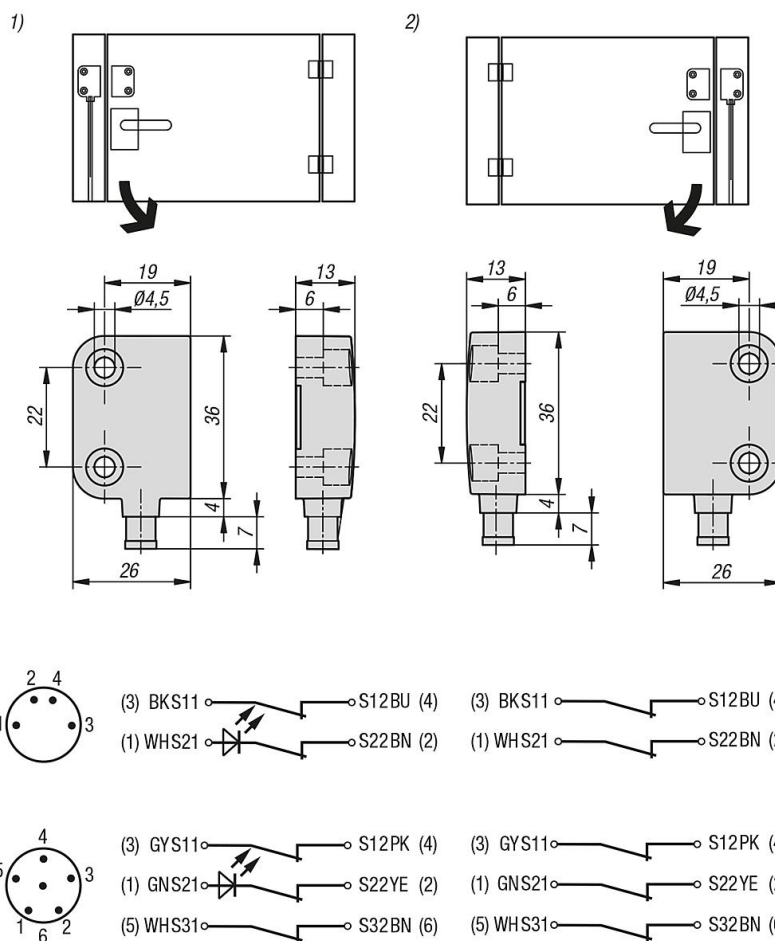
Accessory:

Actuator for magnetically coded safety switch 83455-10.

Drawing reference:

- 1) right
- 2) left

Drawings



Overview of items

Order No.	Door stop	LED Indicator Quantity	Note	Signal contact	Voltage max. V DC
83455-1021061	right	-	-	yes	30
83455-2021061	left	-	-	yes	30
83455-1021161	right	1	LED lights when safety door is closed	yes	24
83455-2021161	left	1	LED lights when safety door is closed	yes	24
83455-1020142	right	1	LED lights when safety door is closed	no	24
83455-2020142	left	1	LED lights when safety door is closed	no	24
83455-1020042	right	-	-	no	75
83455-2020042	left	-	-	no	75

Order No.	Current max. A	Switching capacity max. VA	Switching frequency max. Hz	No. of NC contacts (safety contacts)	No. of NC contacts (signal contacts)
83455-1021061	0,4	10	5	2	1
83455-2021061	0,4	10	5	2	1
83455-1021161	0	0,2	5	2	1
83455-2021161	0	0,2	5	2	1
83455-1020142	0	0,2	5	2	-
83455-2020142	0	0,2	5	2	-
83455-1020042	0,4	10	5	2	-
83455-2020042	0,4	10	5	2	-

Order No.	Switching distance Sn ON mm	Switching distance Sn OFF mm	Connection type	No. of poles
83455-1021061	5	15	8mm connector	6-pole

Overview of items

Order No.	Switching distance Sn ON mm	Switching distance Sn OFF mm	Connection type	No. of poles
83455-2021061	5	15	8mm connector	6-pole
83455-1021161	5	15	8mm connector	6-pole
83455-2021161	5	15	8mm connector	6-pole
83455-1020142	5	15	M8 connector	4-pole
83455-2020142	5	15	M8 connector	4-pole
83455-1020042	5	15	M8 connector	4-pole
83455-2020042	5	15	M8 connector	4-pole