

Item description/product images



**Description**

**Material:**  
Die-cast zinc.

**Version:**  
Black powder-coated, high-gloss chromed or matt chromed.

**Note:**  
Latches for the easy and secure locking of doors and hatches. The toggle system makes them vibration proof.

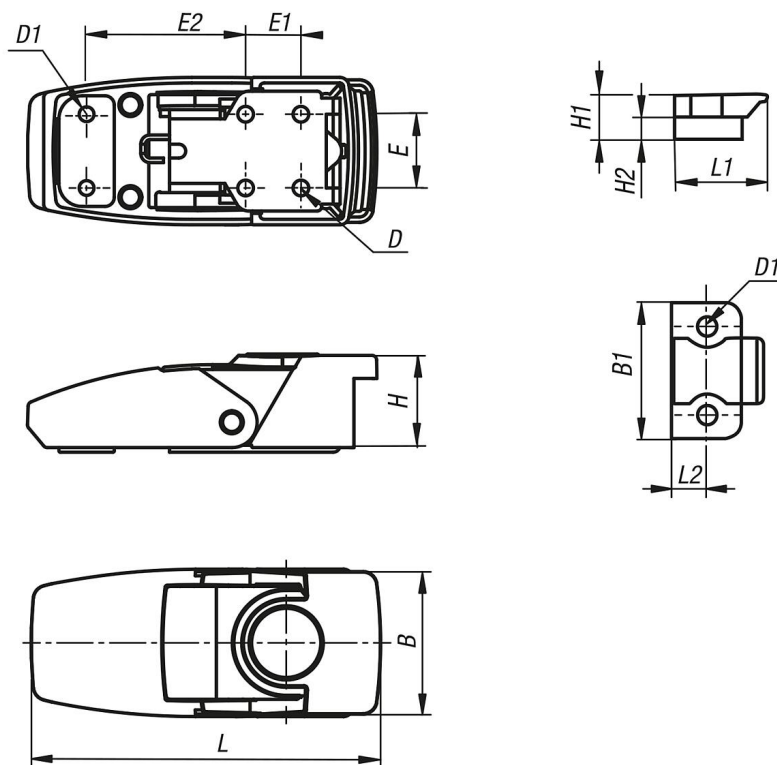
The latches can be screwed on or riveted. We recommend using M3 countersunk screws to fasten the components.

The die-cast housing conceals all functional parts and so secures against dismantling when closed.

Max. load capacity is 1,200 N.

Supplied with catch plate.

Drawings



Overview of items

Order No.	Version 1	Main colour	Surface finish body	L	B	H	B1	D	D1	E	E1	E2	H1	H2	L1	L2
05547-10-10064	not lockable	black	powder-coated	64,8	26,5	18	19,7	3,2	3,2	12	12	30	6,5	3,5	15,5	6
05547-10-20064	not lockable	-	high-gloss chromed	64,8	26,5	18	19,7	3,2	3,2	12	12	30	6,5	3,5	15,5	6
05547-10-30064	not lockable	-	matt chromed	64,8	26,5	18	19,7	3,2	3,2	12	12	30	6,5	3,5	15,5	6
05547-10-10076	not lockable	black	powder-coated	76	32	21	24	3,2	3,2	16	12	34,5	8	4	16	6

## Overview of items

Order No.	Version 1	Main colour	Surface finish body	L	B	H	B1	D	D1	E	E1	E2	H1	H2	L1	L2
05547-10-20076	not lockable	-	high-gloss chromed	76	32	21	24	3,2	3,2	16	12	34,7	8	4	16	6
05547-10-30076	not lockable	-	matt chromed	76	32	21	24	3,2	3,2	16	12	34,9	8	4	16	6