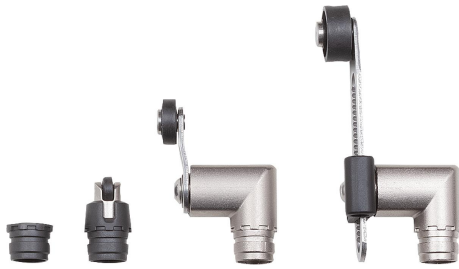


## Item description/product images



for electrics

**Description****Material:**

Thrust pin: Housing and thrust pin plastic.

Roller thrust pin: Housing and roller plastic.

Swivel lever: Housing steel, roller plastic.

Roller swivel lever: Housing and lever steel, roller plastic.

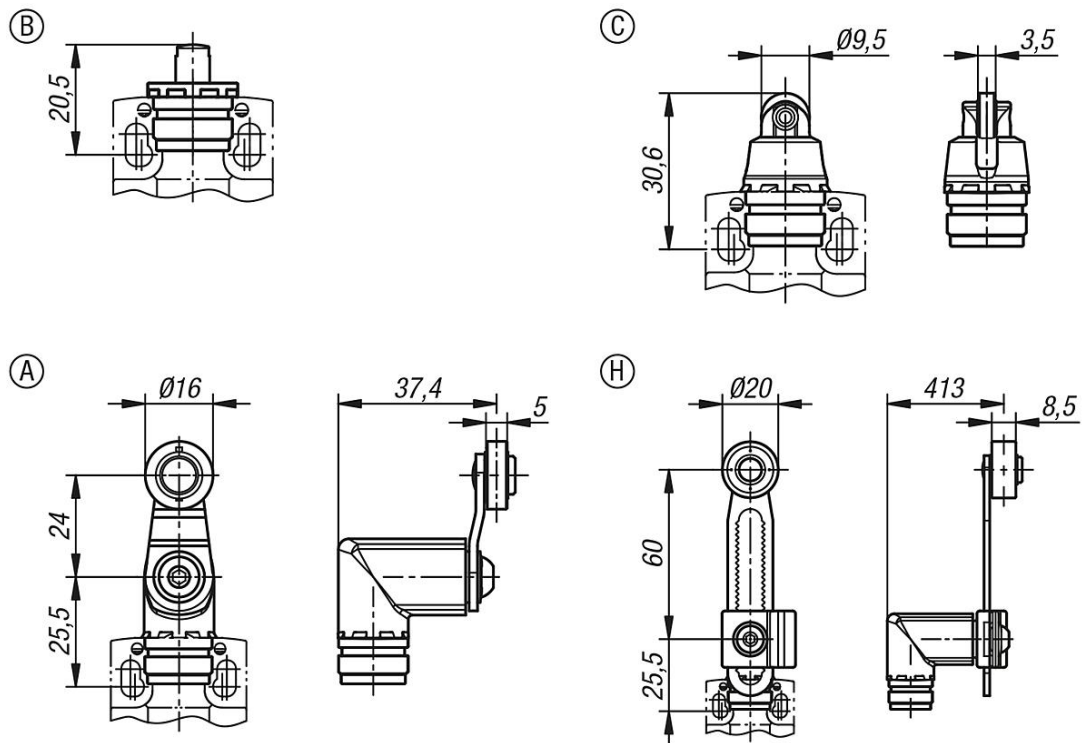
**Note:**

The actuators can be attached to the position switch in 45° increments. This makes an adaptation to the respective approach situation possible at any time.

**Temperature range:**

-30 °C to +80 °C

## Drawings



## Overview of items

## Actuator for position switch

Order No.	Form	Form definition	Drive type	Forced opening force N	Actuation speed min. (snap action) mm/min.	Actuation speed max. (snap action) m/s.	Lever positioning
83450-10-02	B	thrust pin	EN 50047	>40	10	0,5	-
83450-10-03	C	roller thrust pin	EN 50047	>40	10	0,5	-
83450-10-01	A	swivel lever	EN 50047	>40	10	1	adjustable in 15° increments
83450-10-08	H	roller swivel lever	-	>40	10	1	adjustable in 15° increments