

Item description/product images

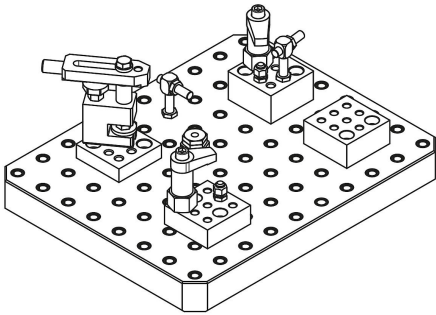


Description

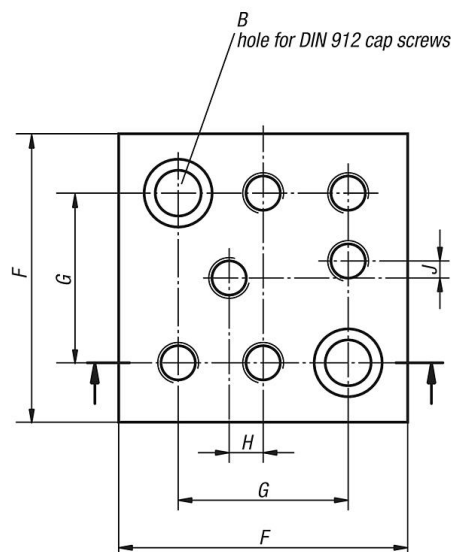
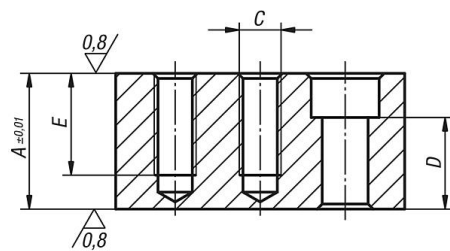
Material:
Carbon steel.

Version:
Black oxidised.
Contact faces ground.

Note:
Riser blocks are used to achieve a certain support height. The additional tapped holes in the risers are for mounting further fixture elements.



Drawings



Overview of items

Order No.	A	B hole for DIN 912 screw	C	D	E	F	G	H	J	weight kg
01247-05-14012025	25	M12	M12	12	25	85	50	10	5	1,218
01247-05-14012032	32	M12	M12	19	32	85	50	10	5	1,56
01247-05-14012040	40	M12	M12	27	30	85	50	10	5	1,97
01247-05-14012050	50	M12	M12	37	30	85	50	10	5	2,5
01247-05-14016025	25	M16	M16	8	25	85	50	10	5	1,039
01247-05-14016032	32	M16	M16	15	32	85	50	10	5	1,33
01247-05-14016040	40	M16	M16	23	35	85	50	10	5	1,7
01247-05-14016050	50	M16	M16	33	35	85	50	10	5	2,123