

Item description/product images

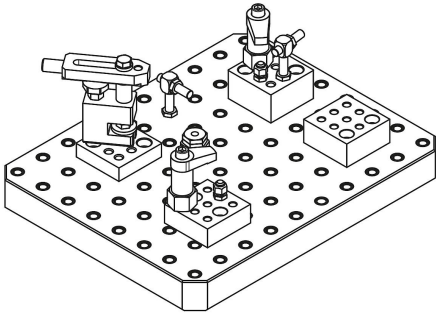


Description

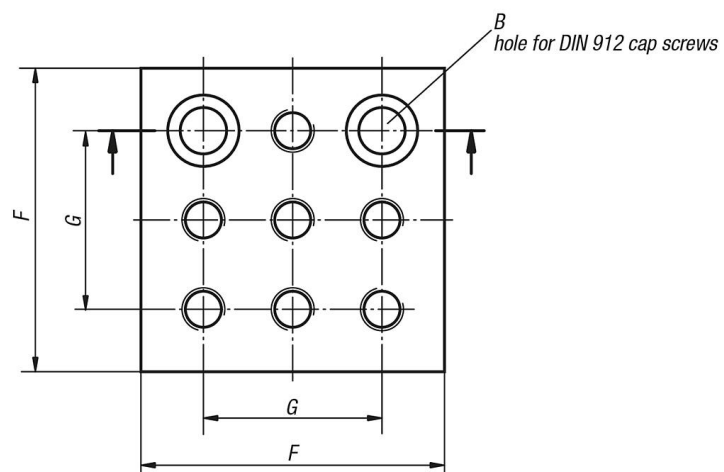
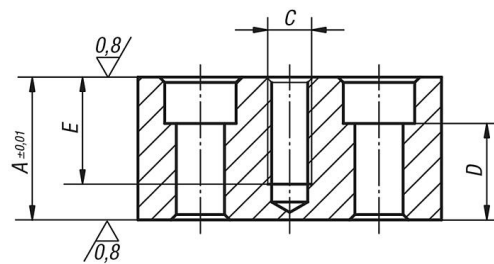
Material:
Carbon steel.

Version:
Black oxidised.
Contact faces ground.

Note:
Riser blocks are used to achieve a certain support height. The additional tapped holes in the risers are for mounting further fixture elements.



Drawings



Overview of items

Order No.	A	B hole for DIN 912 screw	C	D	E	F	G	weight kg
01247-05-14212025	25	M12	M12	12	25	85	50	1,208
01247-05-14212032	32	M12	M12	19	25	85	50	1,52
01247-05-14212040	40	M12	M12	27	30	85	50	1,95
01247-05-14212050	50	M12	M12	37	30	85	50	2,454
01247-05-14216025	25	M16	M16	8	25	85	50	1,005
01247-05-14216032	32	M16	M16	15	32	85	50	1,289
01247-05-14216040	40	M16	M16	23	35	85	50	1,68
01247-05-14216050	50	M16	M16	33	35	85	50	2,18