

Item description/product images



Description

Material:

Carbon steel.

Version:

Body black oxidised.

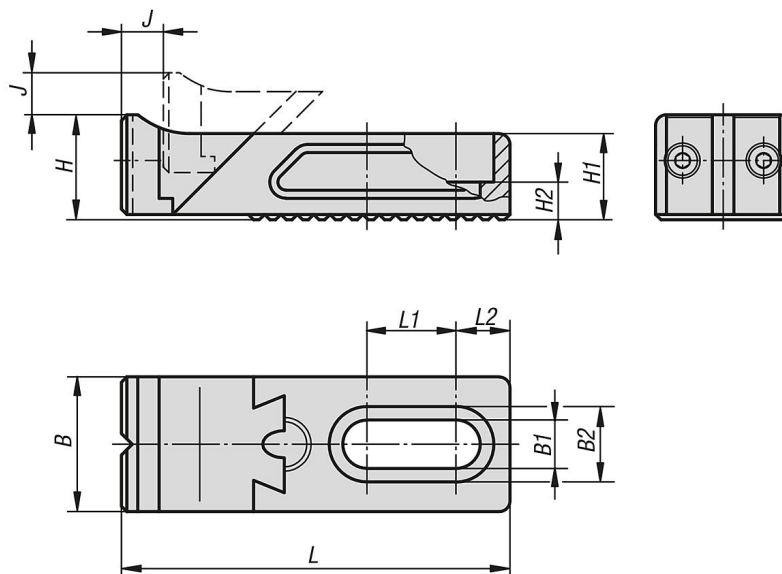
Jaw plate tempered and black oxidised.

The clamping face of the jaw plate is ground.

Note:

The adjustable toe clamp is used together with the rack plate CL.

Drawings



Overview of items

Order No.	B	B1	B2	H	H1	H2	J	L	L1	L2	F1 kN	M1 Nm
04470-05-93108016	25	8,5	14	19,5	16	7	7	72	16,5	10	3,6	6,5
04470-05-93112022	35	13	20	29	22	9	12	105	26,5	13,5	7,4	19
04470-05-93116030	40	17	26	39	30	13	14	137	30	17,5	11,7	32