

Item description/product images



Description

Material:

Carbon steel.

Version:

Body black oxidised.

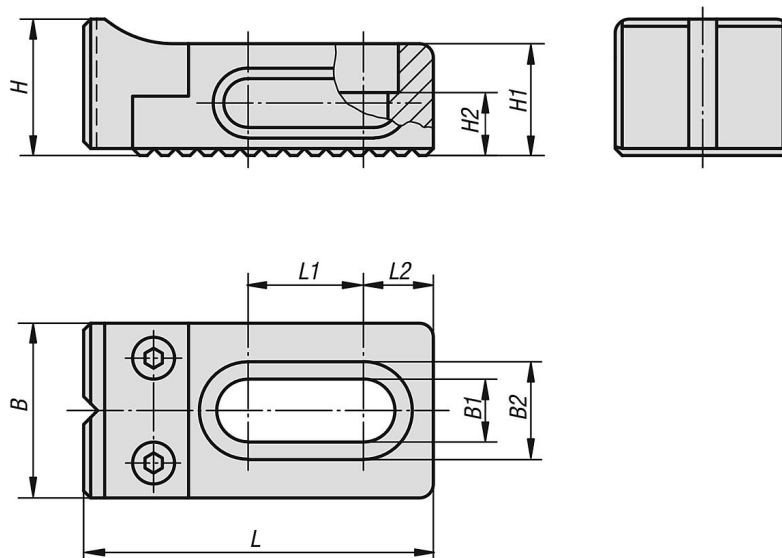
Jaws tempered and black oxidised.

The contact face of the jaw plate is ground.

Note:

The adjustable stop is used together with the rack plate CL.

Drawings



Overview of items

Order No.	B	B1	B2	H	H1	H2	L	L1	L2
04470-05-97108016	25	8,5	14	19,5	16	7	50	16,5	10
04470-05-97112022	35	13	20	29	22	10	75	26,5	13,5
04470-05-97116030	40	17	26	39	30	13	95	30	17,5