

Item description/product images

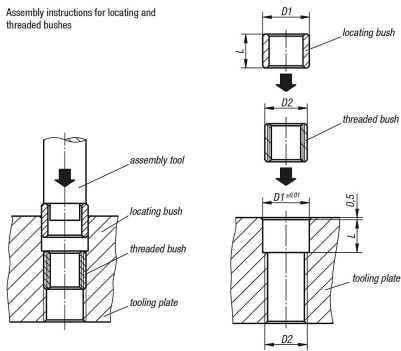


Description

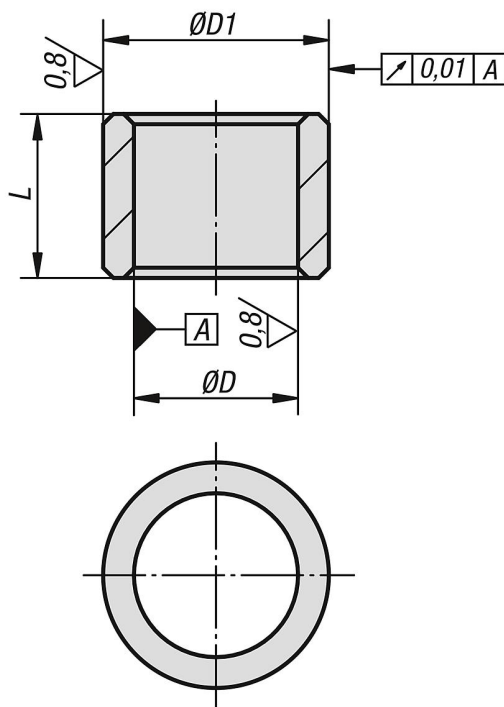
Material:
Special case-hardened steel

Version:
Hardened and ground.

Assembly instructions for locating and threaded bushes



Drawings



Overview of items

Order No.	D	D1	L
03150-10-01508305002	12 H6	16 g5	8
03150-10-01012304002	12 F7	18 g6	12
03150-10-01016405002	16 F7	22 g6	16

