

Item description/product images



Description

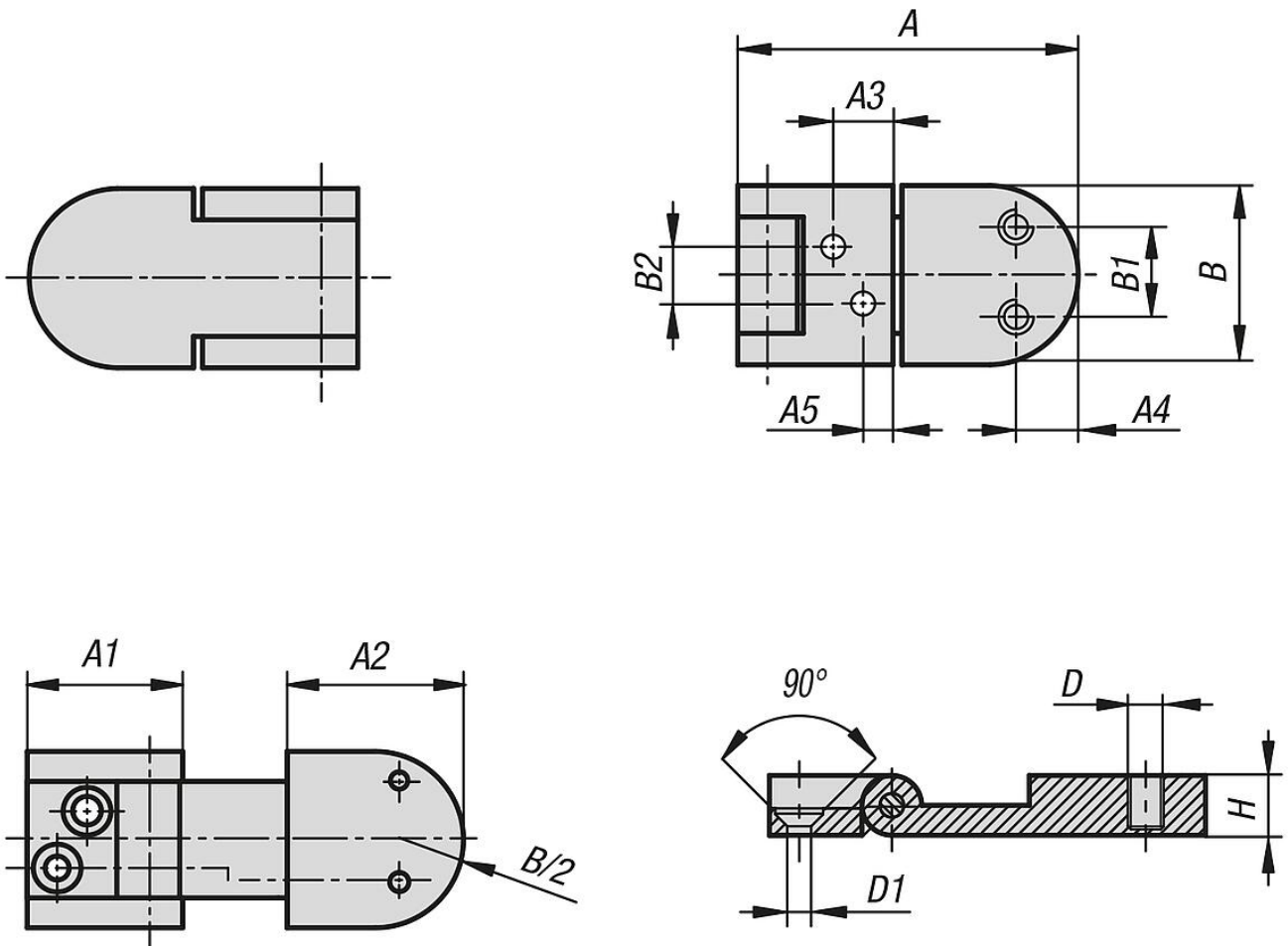
Material:
Stainless steel 1.4301.

Version:
Polished or blasted.

Note:
The high-quality stainless steel hinges with fastening holes have an opening angle of 180°. The hinges can be used in the foodstuff, packaging, chemical and pharmaceutical industries.

The hinges are available in polished or abrasive blasted versions.

Drawings



Overview of items

Order No.	Surface finish body	A	A1	A2	A3	A4	A5	B	B1	B2	H	D	D1
27876-10-57300	polished	57	26	29,5	10	12	5	30	16	9,5	10	M5	4
27876-10-57301	blasted	57	26	29,5	10	12	5	30	16	9,5	10	M5	4

