

## Item description/product images



## Description

**Product description:**

The end washers are designed for round pull handles. The washer enlarges the screw-on surface, thus minimising the risk of breaking through with thin-walled sheets.

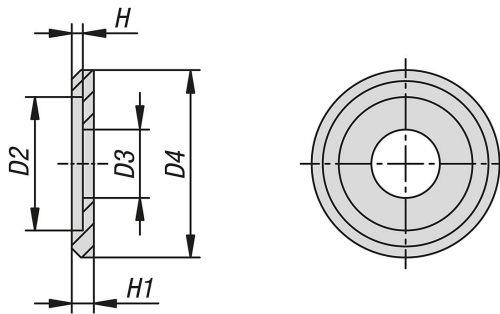
**Material:**

Aluminium.

**Version:**

Natural or black anodised.

## Drawings



## Overview of items

Order No.	Main colour	D2	D3	D4	H	H1	for screws
06917-5	natural	8,1	4,2	12,5	1	2	M4
06917-3	natural	10,1	5,2	15	1	2	M5
06917-7	natural	12,1	6,2	17	1	2	M6
06917-4	black	8,1	4,2	12,5	1	2	M4
06917-1	black	10,1	5,2	15	1	2	M5
06917-6	black	12,1	6,2	17	1	2	M6