

Item description/product images



Description

Material:

Steel.

Version:

high-gloss chromed.

Note for ordering:

Order the fastening material and end washers separately.

Application:

From the rear.

Accessory:

End washers 06922-11.

Washers 07300.

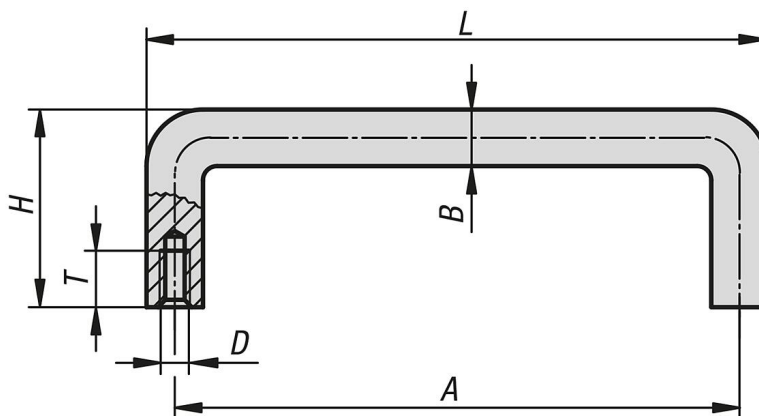
Washers 07305.

Hex head bolts 07171.

Screws 07174.

Cap screws 07160.

Drawings



Overview of items

Order No.	A	B	D	H	L	T	Load capacity N
06930-10-032031	32	5	M3	24	37	6	500
06930-10-042031	42	5	M3	24	47	6	500
06930-10-055031	55	5	M3	24	60	6	500
06930-10-064031	64	5	M3	24	69	6	500
06930-10-076031	76	5	M3	24	81	6	500
06930-10-088031	88	5	M3	24	93	6	500
06930-10-032041	32	8	M4	32	40	8	500
06930-10-042041	42	8	M4	32	50	8	500

Overview of items

Order No.	A	B	D	H	L	T	Load capacity N
06930-10-055041	55	8	M4	32	63	8	500
06930-10-064041	64	8	M4	32	72	8	500
06930-10-076041	76	8	M4	32	84	8	500
06930-10-088041	88	8	M4	32	96	8	500
06930-10-096041	96	8	M4	32	104	8	500
06930-10-098041	98	8	M4	32	108	8	500
06930-10-100041	100	8	M4	32	108	8	500
06930-10-102041	102	8	M4	32	110	8	500
06930-10-120041	120	8	M4	32	128	8	500
06930-10-136041	136	8	M4	32	148	8	500
06930-10-055051	55	10	M5	40	65	10	1000
06930-10-064051	64	10	M5	40	74	10	1000
06930-10-076051	76	10	M5	40	86	10	1000
06930-10-088051	88	10	M5	40	98	10	1000
06930-10-096051	96	10	M5	40	106	10	1000
06930-10-098051	98	10	M5	40	108	10	1000
06930-10-100051	100	10	M5	40	110	10	1000
06930-10-102051	102	10	M5	40	112	10	1000
06930-10-120051	120	10	M5	40	130	10	1000
06930-10-136051	136	10	M5	40	146	10	1000
06930-10-160051	160	10	M5	40	170	10	1000
06930-10-180051	180	10	M5	40	190	10	1000
06930-10-200051	200	10	M5	40	210	10	1000
06930-10-235051	235	10	M5	40	245	10	1000
06930-10-250051	250	10	M5	40	260	10	1000
06930-10-300051	300	10	M5	40	310	10	1000
06930-10-350051	350	10	M5	40	360	10	1000
06930-10-120061	120	12	M6	42	132	12	1000
06930-10-135061	136	12	M6	42	148	12	1000
06930-10-160061	160	12	M6	42	172	12	1000
06930-10-180061	180	12	M6	42	192	12	1000
06930-10-200061	200	12	M6	42	212	12	1000
06930-10-235061	235	12	M6	42	247	12	1000
06930-10-250061	250	12	M6	42	262	12	1000
06930-10-300061	300	12	M6	42	312	12	1000
06930-10-350061	350	12	M6	42	362	12	1000
06930-10-160081	160	16	M8	58	176	12	1000
06930-10-180081	180	16	M8	58	196	12	1000
06930-10-200081	200	16	M8	58	216	12	1000
06930-10-235081	235	16	M8	58	251	12	1000
06930-10-250081	250	16	M8	58	266	12	1000
06930-10-300081	300	16	M8	58	316	12	1000
06930-10-350081	350	16	M8	58	366	12	1000
06930-10-200101	200	20	M10	70	220	19	1000
06930-10-235101	235	20	M10	70	255	19	1000
06930-10-250101	250	20	M10	70	270	19	1000
06930-10-300101	300	20	M10	70	320	19	1000
06930-10-350101	350	20	M10	70	370	19	1000