

## Item description/product images

19"



## Description

**Material:**

Die-cast aluminium.

**Version:**

Tray and handle black or light grey powder-coated, semi-matt.

**Note:**

With their modern design recessed fold-down handles can be used wherever solid and attractive handles are required.

Handles Form A snap into both resting and working positions.

Handles Form B swivel back into the resting position automatically after use.

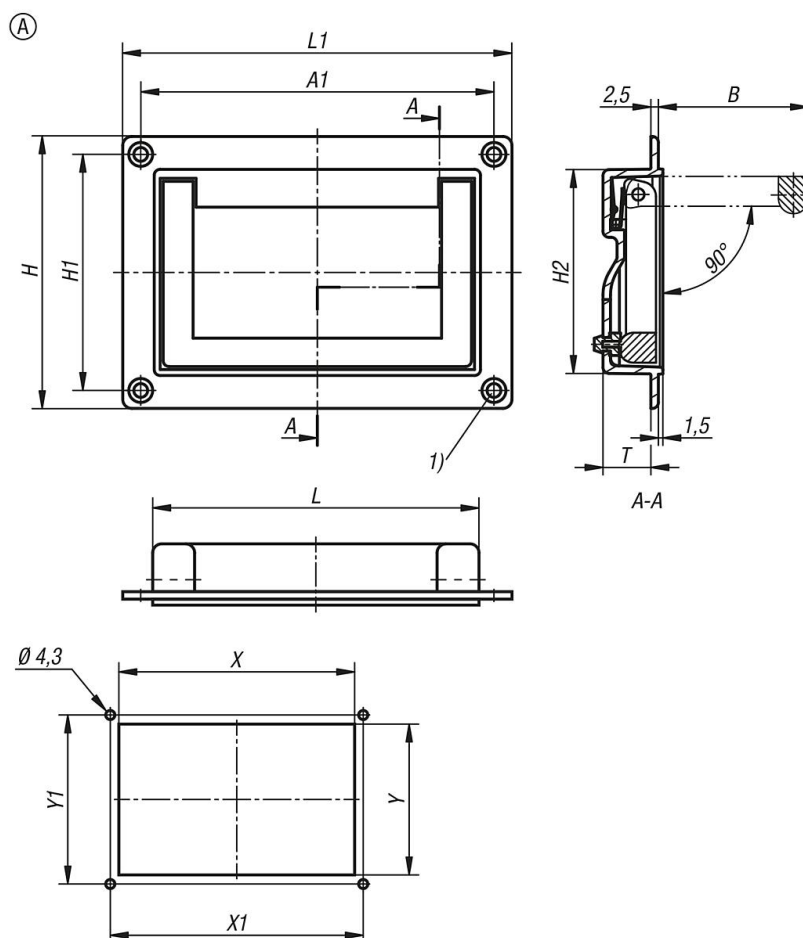
**Assembly:**

The fold-down recessed handles can be installed from the front or rear of the housing panel with the same housing cutout.

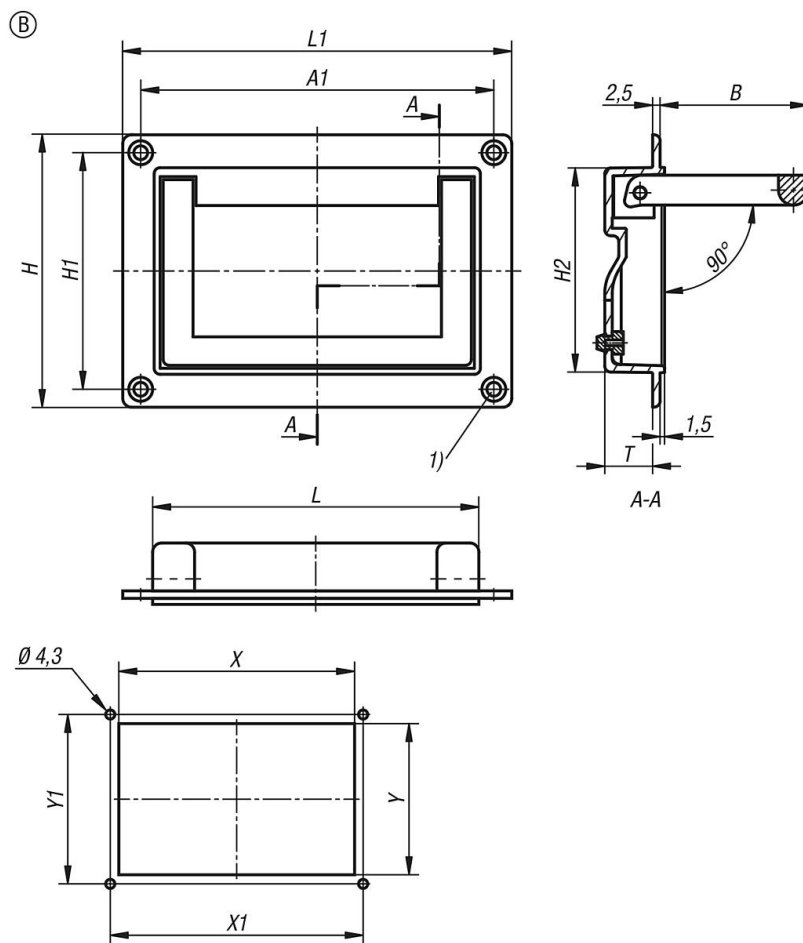
**Drawing reference:**

1) for countersunk screws M4

## Drawings



Drawings



Overview of items

Order No.	Form	Form definition	Main colour	A1	B	H	H1	H2	L	L1	T	X	X1	Y	Y1	Load capacity N
06962-01-07911811	A	latching	jet black RAL 9005	118	49,5	91	79	68,5	109	130	16	110	118	70,5	79	625
06962-01-07911812	A	latching	light grey RAL 7035	118	49,5	91	79	68,5	109	130	16	110	118	70,5	79	625
06962-01-07911821	B	auto-return	jet black RAL 9005	118	49,5	91	79	68,5	109	130	16	110	118	70,5	79	625
06962-01-07911822	B	auto-return	light grey RAL 7035	118	49,5	91	79	68,5	109	130	16	110	118	70,5	79	625