

Item description/product images

19"



Description

Material:

Die-cast aluminium.

Version:

Tray and handle black or light grey powder-coated, semi-matt.

Note:

With their modern design recessed fold-down handles can be used wherever solid and attractive handles are required.

Handles Form A snap into both resting and working positions.

Handles Form B swivel back into the resting position automatically after use.

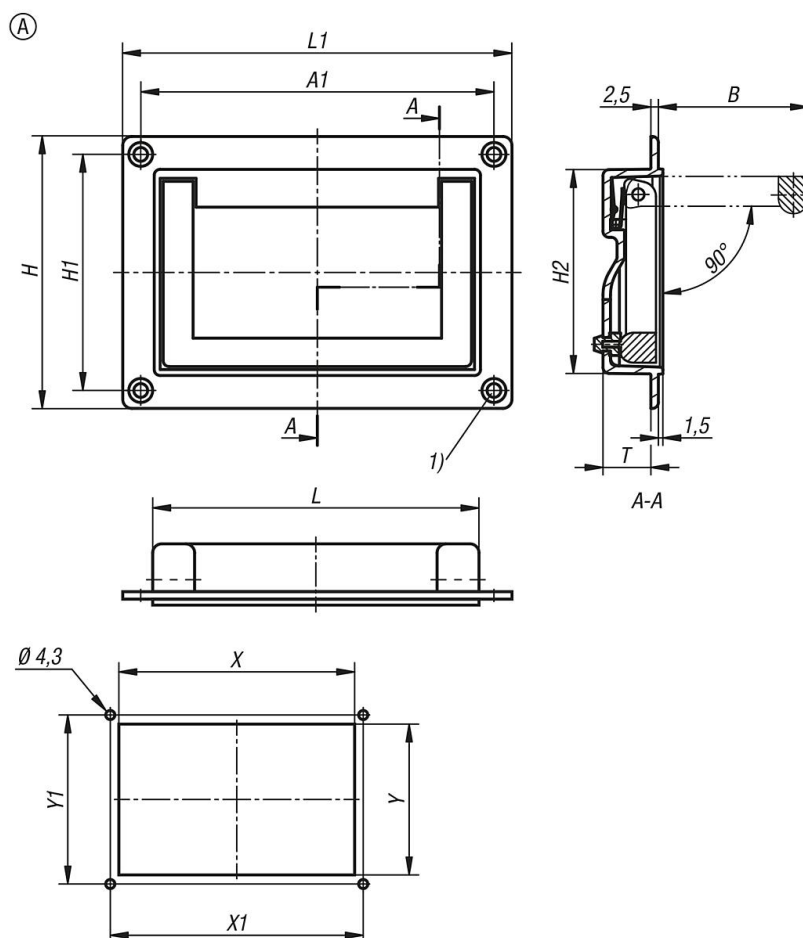
Assembly:

The fold-down recessed handles can be installed from the front or rear of the housing panel with the same housing cutout.

Drawing reference:

1) for countersunk screws M4

Drawings



Overview of items

| Order No. | Form | Form definition | Main colour | A1 | B | H | H1 | H2 | L | L1 | T | X | X1 | Y | Y1 | Load capacity N |
|-------------------|------|-----------------|---------------------|-----|------|----|----|------|-----|-----|----|-----|-----|------|----|-----------------|
| 06962-01-07911811 | A | latching | jet black RAL 9005 | 118 | 49,5 | 91 | 79 | 68,5 | 109 | 130 | 16 | 110 | 118 | 70,5 | 79 | 625 |
| 06962-01-07911812 | A | latching | light grey RAL 7035 | 118 | 49,5 | 91 | 79 | 68,5 | 109 | 130 | 16 | 110 | 118 | 70,5 | 79 | 625 |