

## Item description/product images



## Description

**Product description:**

The visually detectable operating parts are made from a EU10/2011 and FDA conform blue coloured plastic granulate.

The colour ensures an optically discernible contrast between the operating parts and other media and materials. This means that in sensitive production sectors, e.g. foodstuff processing, plastic fragments of visually detectable operating parts can be identified and the risk of production downtimes or complaints are significantly reduced.

**Material:**

Thermoplastic (fibreglass reinforced polyamide), visually detectable, EU10/2011 and FDA conform.

Steel parts stainless steel 1.4404.

**Version:**

Thermoplastic ultra marine RAL 5002.

Steel parts bright stainless steel.

**Note:**

Screw-on dimension "A" applies after grip assembly. In the unassembled state it may deviate through flexural stress by deforming.

**Application:**

- Foodstuff industry
- Pharmaceutical industry
- Packaging industry

**Temperature range:**

-20°C to +100°C.

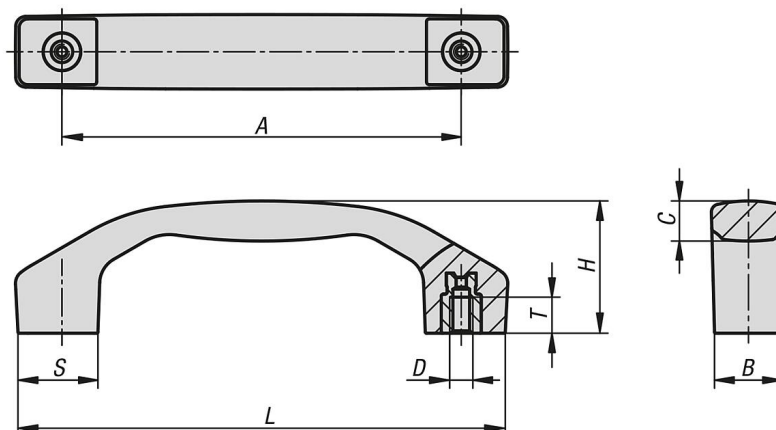
**Assembly:**

From the rear.

**Advantages:**

visually detectable.  
Ultra marine RAL 5002.  
Foodstuff conform material.

## Drawings



## Overview of items

Order No.	Form	A	B	C	D	H	L	S	T	Load capacity N
06916-01-132100052	B	100	17	9,5	M5	33	122	20	9	1000
06916-01-132120062	B	120	21	11,4	M6	39	146	24	12	1000
06916-01-132140082	B	140	24	14,2	M8	45	170	28	12	1000