

Item description/product images

**Description****Material:**

Tensioner Vesconite® plastic.
Screw and nut A2 stainless steel.

Version:

Screw ISO 4017, bright.
Nut ISO 4035, bright.

Note:

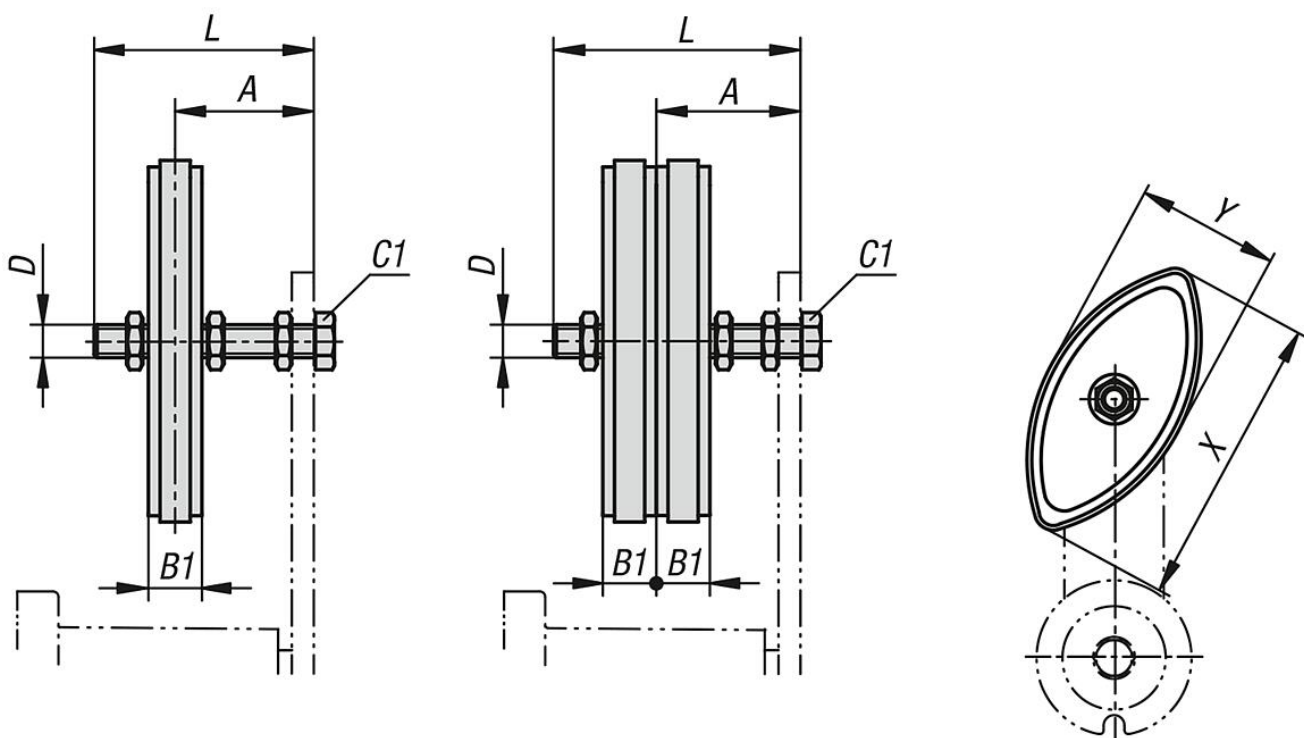
For tensioning roller chains. The chain tensioner set can be combined with all tensioning elements to form a ready-to-install chain. The symmetrical design enables use on both sides. Large radii ensure very quiet running. The high-quality plastic does not require any lubrication.

The maximum chain speed should not exceed 1.5 m/s in continuous use.

Temperature range:

-40 °C to +120 °C.

Drawings



Overview of items

Order No.	Version 1	A	B1	D	L	X	Y	Tightening torque of screw C1 Nm	ISO No.	Suitable for clamping element size
22281-02-06108	single	21-34	10,2	M8	45	74	40	10	06 B-1	1
22281-02-08110	single	23-47	13,9	M10	60	96	50	20	08 B-1	2+3
22281-02-10110	single	25-48	16,5	M10	60	125	55	20	10 B-1	3
22281-02-12112	single	29-64	19,5	M12	80	147	80	35	12 B-1	4
22281-02-06208	duplex	26-29	10,2	M8	45	74	40	10	06 B-2	1
22281-02-08210	duplex	30-40	13,9	M10	60	96	50	20	08 B-2	2+3
22281-02-10210	duplex	34-47	16,5	M10	60	125	55	20	10 B-2	3
22281-02-12212	duplex	39-54	19,5	M12	80	147	80	35	12 B-2	4