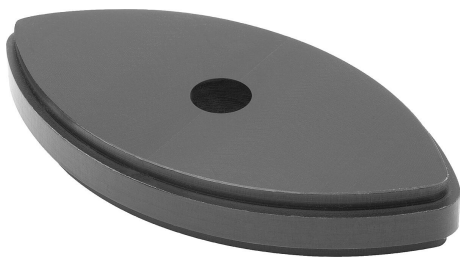


Item description/product images



Description

Material:

Plastic Vesconite®.

Note:

For tensioning roller chains The symmetrical design enables use on both sides. Large radii ensure very quiet running. The high quality plastic needs no lubrication.

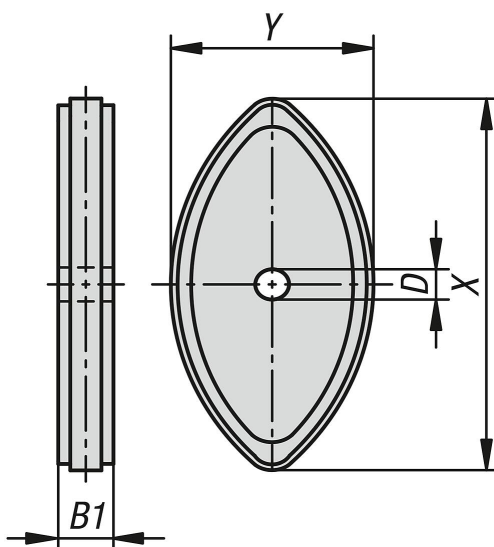
The maximum chain speed should not exceed 1.5 m/s in continuous use.

Temperature range:

-40°C to +120°C.

Max. frictional heat +240 °C.

Drawings



Overview of items

Order No.	B1	D	X	Y	ISO No.
22281-03-0608	10,2	8	74	40	06 B-1
22281-03-0810	13,9	10	96	50	08 B-1
22281-03-1010	16,5	10	125	55	10 B-1
22281-03-1212	19,5	12	147	80	12 B-1