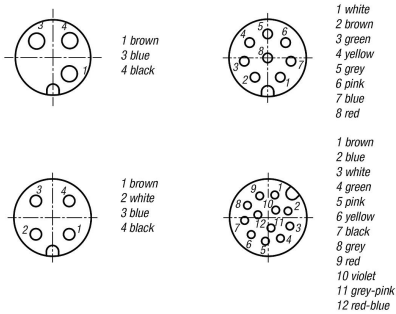


## Item description/product images



for electrics



## Description

**Material:**

Housing: plastic.  
 Cable: PUR  
 (4 pole length 3 and 5 metres PVC.  
 8 pole length 10 metres PVC.  
 12 pole length 10 metres PVC).  
 Insulation braid: PP  
 (4 pole length 3 and 5 metres PVC.  
 8 pole length 10 metres PVC.  
 12 pole length 10 metres PVC).  
 Contact: copper alloy.  
 Contact surface: Au (gold).  
 Lock: nickel plated die-cast zinc.

**Version:**

Bush (female).  
 Housing colour: black.  
 Cable colour: black.

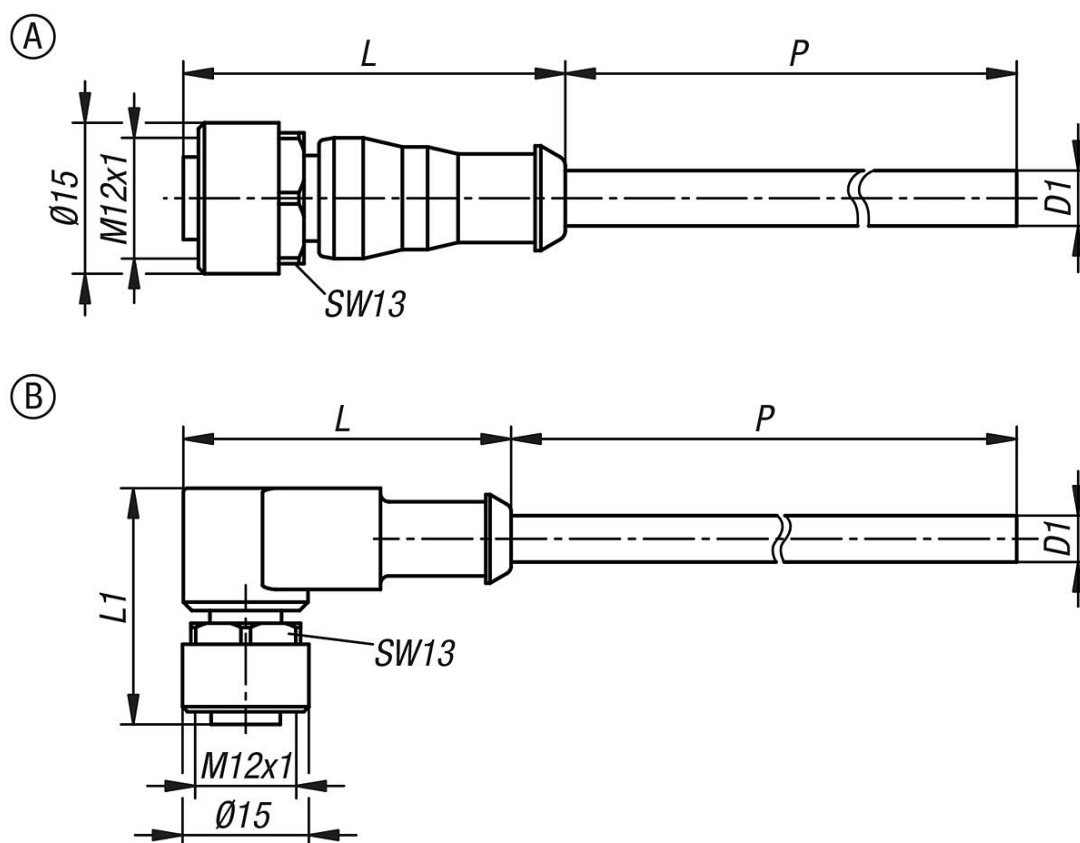
**Note:**

Connector with screw lock.  
 Connector moulded to cable.  
 Wire ID acc. to DIN 47100 colour code.  
 Coding A. Recommended tightening torque for the lock 0.6 Nm.  
 The connectors are designed for use in plant, control and electrical appliance construction.

**Technical data:**

No. of connection cycles:  $\geq 100$ .

## Drawings



## Overview of items

Order No.	Version 2	Form	Form definition	P	D1	L	No. of conductors x conductor cross-section	Safety rating	Operating voltage V
80150-10-1203X2000	3-pin	A	straight bush	2000	4,1	38	3 x 0,34 mm <sup>2</sup>	IP65/IP67	250 AC / 250 DC
80150-10-1203X5000	3-pin	A	straight bush	5000	4,1	38	3 x 0,34 mm <sup>2</sup>	IP65/IP67	250 AC / 250 DC
80150-10-1204X3000	4-pole	A	straight bush	3000	5	38	N=4 X 0,34 mm <sup>2</sup>	IP65/IP67	250 AC / 250 DC
80150-10-1204X5000	4-pole	A	straight bush	5000	5	38	N=4 X 0,34 mm <sup>2</sup>	IP65/IP67	250 AC / 250 DC
80150-10-1208X2500	8-pin	A	straight bush	2500	5,8	43,5	8 x 0,25 mm <sup>2</sup>	IP65/IP67	30 AC / 30 DC
80150-10-1208X5000	8-pin	A	straight bush	5000	5,8	43,5	8 x 0,25 mm <sup>2</sup>	IP65/IP67	30 AC / 30 DC
80150-10-1208X10000	8-pin	A	straight bush	10000	6	43,5	8 x 0,25 mm <sup>2</sup>	IP65/IP67	30 AC / 30 DC
80150-10-1212X3000	12-pin	A	straight bush	3000	6	43,5	12 x 0,14 mm <sup>2</sup>	IP65/IP67	30 AC / 30 DC
80150-10-1212X5000	12-pin	A	straight bush	5000	6	43,5	12 x 0,14 mm <sup>2</sup>	IP65/IP67	30 AC / 30 DC
80150-10-1212X10000	12-pin	A	straight bush	10000	6	43,5	12 x 0,14 mm <sup>2</sup>	IP65/IP67	30 AC / 30 DC
80150-10-11203X2000	3-pin	B	angled bush	2000	4,1	39	3 x 0,34 mm <sup>2</sup>	IP65/IP67	250 AC / 250 DC
80150-10-11203X5000	3-pin	B	angled bush	5000	4,1	39	3 x 0,34 mm <sup>2</sup>	IP65/IP67	250 AC / 250 DC
80150-10-11204X3000	4-pole	B	angled bush	3000	5	39	N=4 X 0,34 mm <sup>2</sup>	IP65/IP67	250 AC / 250 DC
80150-10-11204X5000	4-pole	B	angled bush	5000	5	39	N=4 X 0,34 mm <sup>2</sup>	IP65/IP67	250 AC / 250 DC
80150-10-11208X3000	8-pin	B	angled bush	3000	5,8	39	8 x 0,25 mm <sup>2</sup>	IP65/IP67	30 AC / 30 DC
80150-10-11208X5000	8-pin	B	angled bush	5000	5,8	39	8 x 0,25 mm <sup>2</sup>	IP65/IP67	30 AC / 30 DC
80150-10-11208X10000	8-pin	B	angled bush	10000	6	39	8 x 0,25 mm <sup>2</sup>	IP65/IP67	30 AC / 30 DC
80150-10-11212X3000	12-pin	B	angled bush	3000	6	39	12 x 0,14 mm <sup>2</sup>	IP65/IP67	30 AC / 30 DC
80150-10-11212X5000	12-pin	B	angled bush	5000	6	39	12 x 0,14 mm <sup>2</sup>	IP65/IP67	30 AC / 30 DC
80150-10-11212X10000	12-pin	B	angled bush	10000	6	39	12 x 0,14 mm <sup>2</sup>	IP65/IP67	30 AC / 30 DC

Order No.	Rated surge voltage V	Rated current (40 °C) A	Conductive resistance (20 °C) Ω/Km	Contamination level	Nominal voltage V	Test voltage V
80150-10-1203X2000	2500	4	57	3	300 AC	2500 AC
80150-10-1203X5000	2500	4	57	3	300 AC	2500 AC
80150-10-1204X3000	2500	4	60	3	300 AC	2000 AC
80150-10-1204X5000	2500	4	60	3	300 AC	2000 AC
80150-10-1208X2500	800	2	79	3	300 AC	2500 AC

## Overview of items

Order No.	Rated surge voltage V	Rated current (40 °C) A	Conductive resistance (20 °C) Ω/Km	Contamination level	Nominal voltage V	Test voltage V
80150-10-1208X5000	800	2	79	3	300 AC	2500 AC
80150-10-1208X10000	800	2	79	3	300 AC	2000 AC
80150-10-1212X3000	800	1,5	138	3	300 AC	1500 AC
80150-10-1212X5000	800	1,5	138	3	300 AC	1500 AC
80150-10-1212X10000	800	1,5	138	3	300 AC	1500 AC
80150-10-11203X2000	2500	4	57	3	300 AC	2500 AC
80150-10-11203X5000	2500	4	57	3	300 AC	2500 AC
80150-10-11204X3000	2500	4	60	3	300 AC	2000 AC
80150-10-11204X5000	2500	4	60	3	300 AC	2000 AC
80150-10-11208X3000	800	2	79	3	300 AC	2500 AC
80150-10-11208X5000	800	2	79	3	300 AC	2500 AC
80150-10-11208X10000	800	2	79	3	300 AC	2000 AC
80150-10-11212X3000	800	1,5	138	3	300 AC	1500 AC
80150-10-11212X5000	800	1,5	138	3	300 AC	1500 AC
80150-10-11212X10000	800	1,5	138	3	300 AC	1500 AC

Order No.	Cable bend radius moving	Cable bend radius fixed	Number of bend cycles max.	Temperature range cable moving	Temperature range cable fixed	EMC capability	Halogen-free
80150-10-1203X2000	≥ 10 x D1	≥ 5 x D1	10000000 (25 °C)	-25 °C - +80 °C	-40 °C - +80 °C	-	yes
80150-10-1203X5000	≥ 10 x D1	≥ 5 x D1	10000000 (25 °C)	-25 °C - +80 °C	-40 °C - +80 °C	-	yes
80150-10-1204X3000	≥ 10 x D1	≥ 5 x D1	10000000 (25 °C)	-5 °C - +80 °C	-30 °C - +80 °C	-	no
80150-10-1204X5000	≥ 10 x D1	≥ 5 x D1	10000000 (25 °C)	-5 °C - +80 °C	-30 °C - +80 °C	-	no
80150-10-1208X2500	≥ 10 x D1	≥ 5 x D1	10000000 (25 °C)	-25 °C - +80 °C	-40 °C - +80 °C	-	yes
80150-10-1208X5000	≥ 10 x D1	≥ 5 x D1	10000000 (25 °C)	-25 °C - +80 °C	-40 °C - +80 °C	-	yes
80150-10-1208X10000	≥ 10 x D1	≥ 5 x D1	2000000 (25 °C)	-5 °C - +80 °C	-30 °C - +80 °C	-	no
80150-10-1212X3000	≥ 10 x D1	≥ 7,5 X D1	2000000 (25 °C)	-25 °C - +85 °C	-40 °C - +85 °C	-	yes
80150-10-1212X5000	≥ 10 x D1	≥ 7,5 X D1	2000000 (25 °C)	-25 °C - +85 °C	-40 °C - +85 °C	-	yes
80150-10-1212X10000	≥ 10 x D1	≥ 7,5 X D1	2000000 (25 °C)	-5 °C - +70 °C	-30 °C - +70 °C	-	no
80150-10-11203X2000	≥ 10 x D1	≥ 5 x D1	10000000 (25 °C)	-25 °C - +80 °C	-40 °C - +80 °C	-	yes
80150-10-11203X5000	≥ 10 x D1	≥ 5 x D1	10000000 (25 °C)	-25 °C - +80 °C	-40 °C - +80 °C	-	yes
80150-10-11204X3000	≥ 10 x D1	≥ 5 x D1	10000000 (25 °C)	-5 °C - +80 °C	-30 °C - +80 °C	-	no
80150-10-11204X5000	≥ 10 x D1	≥ 5 x D1	10000000 (25 °C)	-5 °C - +80 °C	-30 °C - +80 °C	-	no
80150-10-11208X3000	≥ 10 x D1	≥ 5 x D1	10000000 (25 °C)	-25 °C - +80 °C	-40 °C - +80 °C	-	yes
80150-10-11208X5000	≥ 10 x D1	≥ 5 x D1	10000000 (25 °C)	-25 °C - +80 °C	-40 °C - +80 °C	-	yes
80150-10-11208X10000	≥ 10 x D1	≥ 5 x D1	2000000 (25 °C)	-5 °C - +80 °C	-30 °C - +80 °C	-	no
80150-10-11212X3000	≥ 10 x D1	≥ 7,5 X D1	2000000 (25 °C)	-25 °C - +85 °C	-40 °C - +85 °C	-	yes
80150-10-11212X5000	≥ 10 x D1	≥ 7,5 X D1	2000000 (25 °C)	-25 °C - +85 °C	-40 °C - +85 °C	-	yes
80150-10-11212X10000	≥ 10 x D1	≥ 7,5 X D1	2000000 (25 °C)	-55 °C - +70 °C	-30 °C - +70 °C	-	no