

Item description/product images



Description

Material:

Cam screw carbon steel.

Note:

Replacement screw for fixture clamps and cam screws.

Accessory:

Machinable fixture clamps 04431.

Clamping cams 04431-05.

Unequal hexagon fixture clamps 04432.

Cam screws with knife edge washer 04434.

Cam screws with hexagon washer 04435.

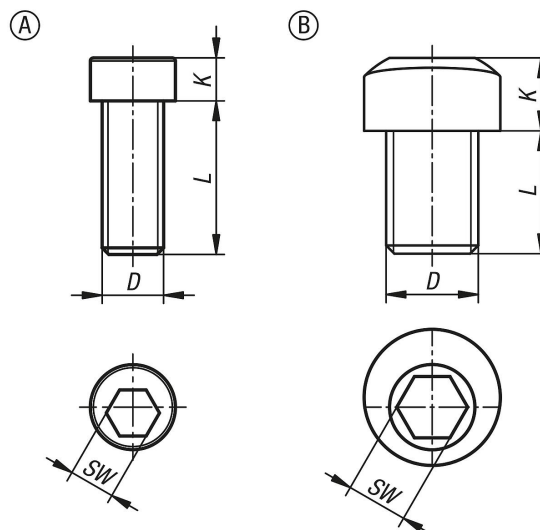
Cam screws with hexagon washer for T-slots 04436.

Toe clamps for T-slots 04439.

Toe clamps with adjustable riser 04444.

Toe clamps compact 04521.

Drawings



Overview of items

Order No.	Form	D	K	L	SW
04521-10-0410	A	M4	2,8	10	3
04521-10-0612	A	M6	4	12	4
04521-10-0815	A	M8	4,8	15	5
04521-10-1013	A	M10	5,5	11,5	7
04521-10-1020	A	M10	6,4	20	7
04521-10-1624	A	M16	9,7	24	12
04521-10-1630	A	M16	9,7	30	12
04521-10-1216	B	M12	6,6	16	8
04521-10-1225	B	M12	6,3	25	8

