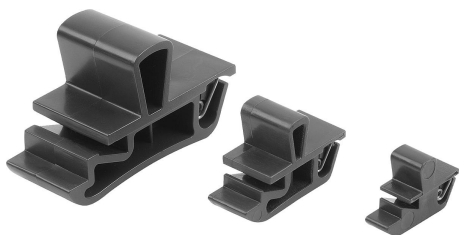
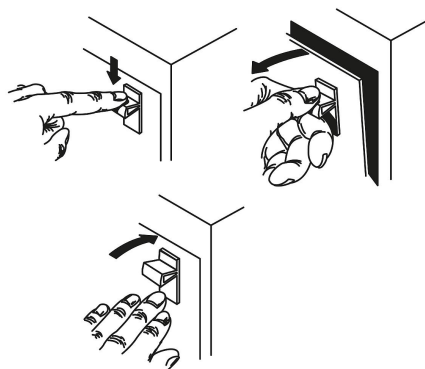
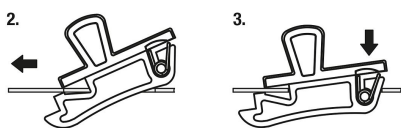
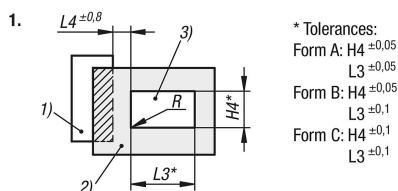


Item description/product images



Assembly:



Description

Material:

Lock PC/ABS.

Spring: stainless steel 1.4310.

Version:

Lock black.

Spring bright.

Note:

Snap locks are designed for installation in doors, hatches and covers.

Available in different sizes for different door leaf thicknesses.

Flammability: listed UL94-HB.

Type of operation:

When the grip is pressed down, the latch retracts and the door can be opened. When the door is pushed to, a spring automatically latches it shut.

Application:

- Automobile industry
- Medical technology
- Machine construction
- Equipment construction
- Industrial control cabinets

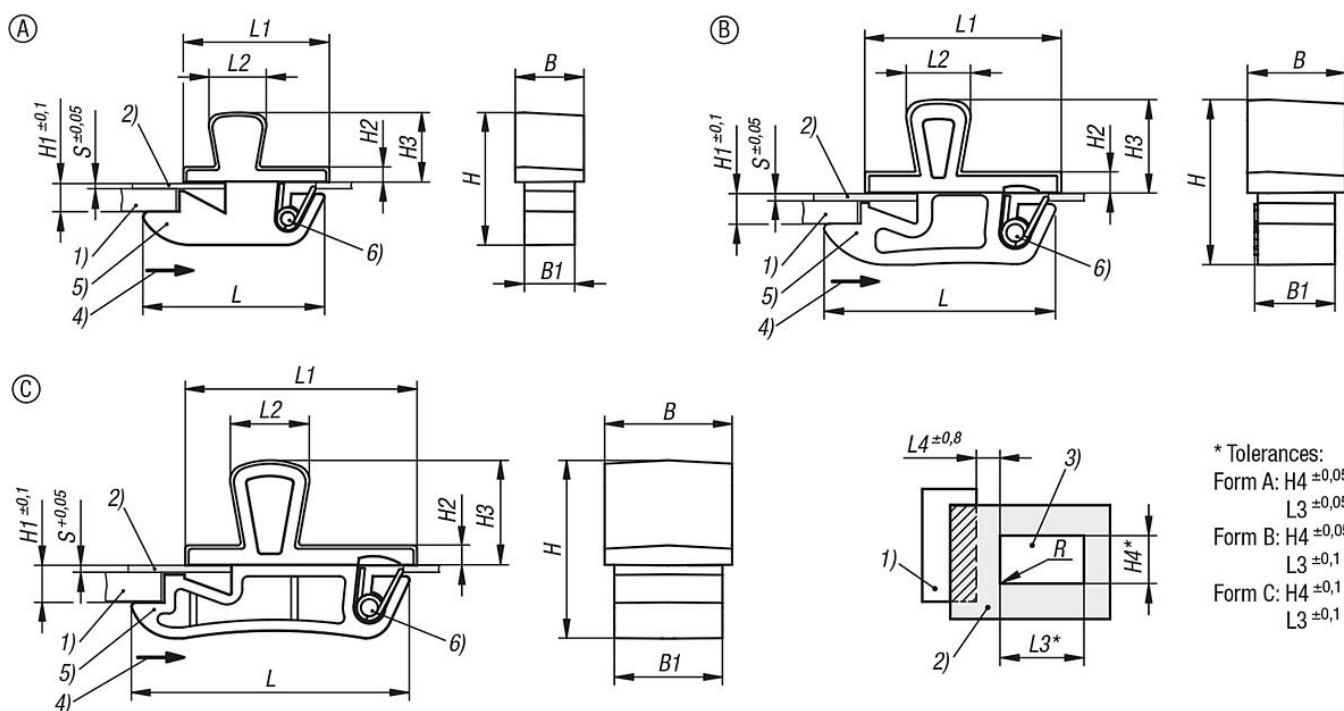
Assembly:

1. Produce a burr-free mounting cutout as shown in the drawing.
2. Insert the lock into the cutout from the front and push forwards.
3. Press the lock down to clip in.

Drawing reference:

- 1) Frame
- 2) Door leaf
- 3) Mounting cutout
- 4) Actuation direction
- 5) Lock
- 6) Spring

Drawings



Overview of items

Order No.	Form	B	B1	H	H1 = Total holding area	H2	H3	H4	L	L1	L2	L3	L4	R	Max. operating load in N	Temperature range °C	S = Door thickness in mm
05596-40-211060	A	6	4,4	11,6	2,2	1,3	6,1	4,57	15,9	12,75	5	8,33	4,8	max. 0,1	25	-40 to 60	0,6
05596-40-215090	B	9,5	7,8	15,5	2,65	2,1	9,1	8,2	22,5	19,05	6,3	12,7	6,4	max. 0,1	90	-40 to 60	0,8
05596-40-222160	C	16,5	14	23,1	4,5	2,6	13,6	14,3	36	30	10,3	22,2	9,5	max. 0,1	130	-40 to 60	1