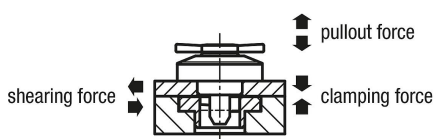
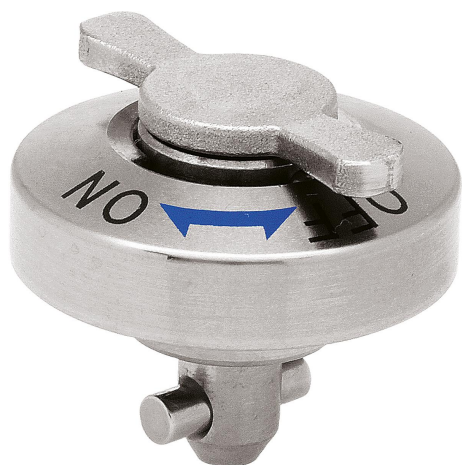


Item description/product images



Description

Material:

Housing stainless steel.  
 Bolt steel  
 Pin stainless steel  
 Twist knob stainless steel.

Version:

Housing bright.  
 Bolt nickel plated.  
 Pin bright.  
 Twist knob stainless steel, bright.

Note:

M2 or M3 fastening screws are supplied.  
 Mounting option 1 for plate thickness 6 or 12 mm.  
 Mounting option 2 for plate thickness 12 to 20 mm.

A gap of more than 0.1 mm appears between the plates if the retaining force is exceeded.

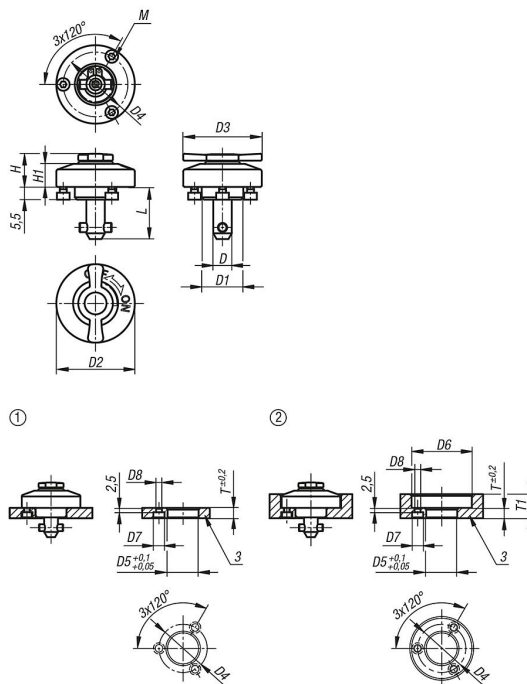
Accessory:

Clamping plates 05592

Drawing reference:

1) plate

Drawings



## Overview of items

Order No.	D	D1	D2	D3	D4	H	H1	L	M	D5	D6	D7	D8	T	T1	Holding force N	Clamping force N	Shearing force kN	Pullout force F kN	Temperature resistance
05591-5162	5	14	25	20	21	11,5	6,5	15,5	M2x3	14	26	4,4	2,4	6	6-10	60	60	1,8	1,2	≤200 °C
05591-8172	8	18	34	32	28	15,4	10	17	M3x4	18	35	6,5	3,4	6	6-14	90	90	3,2	2,6	≤200 °C
05591-8232	8	18	34	32	28	15,4	10	23	M3x4	18	35	6,5	3,4	12	12-20	90	90	3,2	2,6	≤200 °C