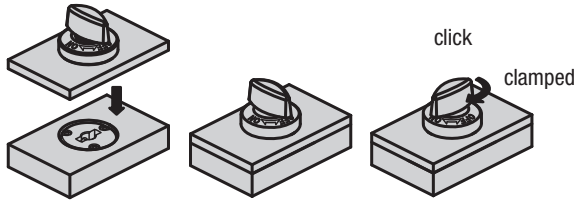


Technical Information

Quarter-turn clamp lock 05591 and clamping plate 05592

1. Application:



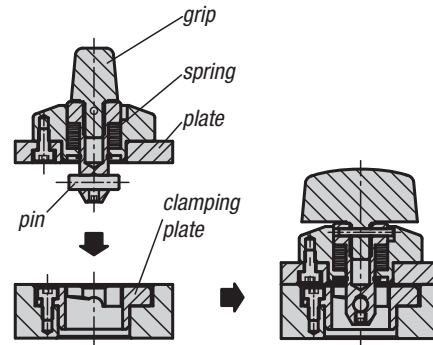
Make sure that the knob is in the "OFF" position.

Insert the pin for the quarter-turn clamp lock into the clamping plate.

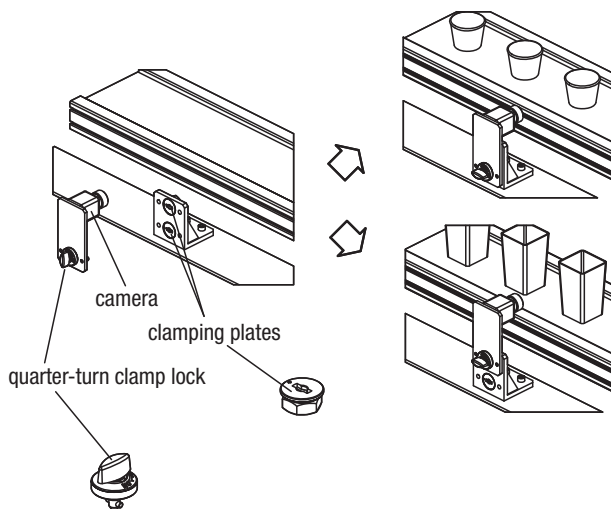
To lock components, turn the knob to the "ON" position. A click signals the opening/closing.

2. Function:

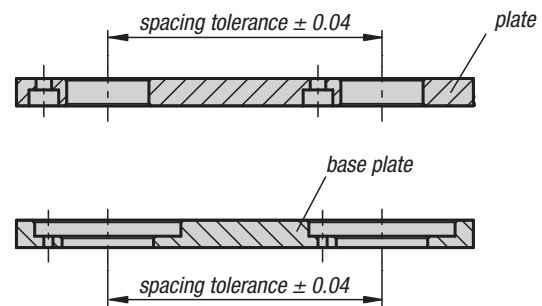
The knob is linked to the pin via an axle. When connecting the quarter-turn clamp lock and clamping plate, the pin engages with the clamping plate when it is turned and clamps the components.



Application examples: Altering camera positions



Production tolerances:



Repeat accuracy:

Improved repeat accuracy can be achieved with the aid of additional locating pins (not supplied).

