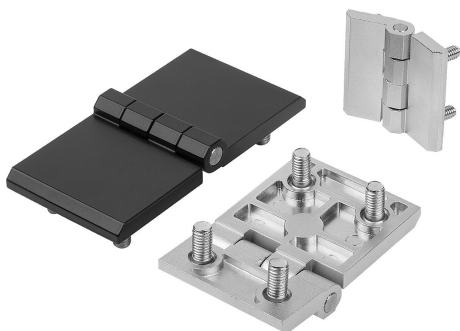


Item description/product images



Description

Material:

Hinges die-cast zinc.
Pin stainless steel.
Fastening screws steel.

Version:

Hinges abrasive blasted, chrome plated or black.
Pins bright.
Fastening screws electro zinc-plated.

Note:

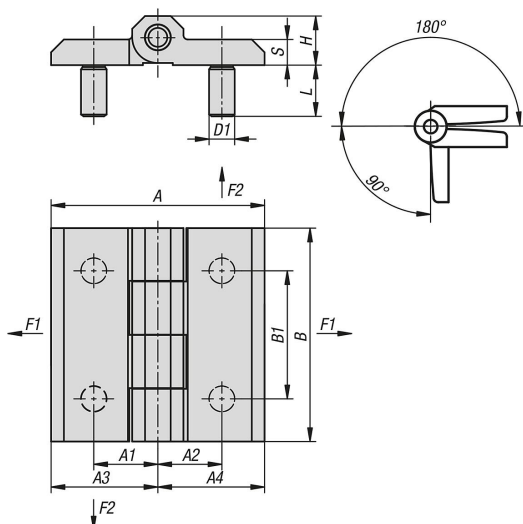
Hinges for inset doors.
The hinges can be mounted right or left.

The loading values given for the hinges are non-binding reference values without consideration of safety factors and exclude any liability. The values given are for information purposes only and do not constitute a legally binding assurance of properties.

The load values have been determined under laboratory conditions. Each user must determine individually whether the hinge is suitable for the respective application.

Different materials onto which the hinges are installed and the type of mounting, weather conditions and wear can influence the determined values.

Drawings



Overview of items

Order No.	Main colour	A	A1	A2	A3	A4	B	B1	D1	H	L	Opening angle	S	F1 N	F2 N
27868-20-052012121	chromed	40	12,5	12,5	20	20	40	25	M5	9	12	180°	5	3650	2000
27868-20-052012122	black	40	12,5	12,5	20	20	40	25	M5	9	12	180°	5	3650	2000
27868-20-062515151	chromed	50	15	15	25	25	50	30	M6	11,5	12	180°	6	3650	2000
27868-20-062515152	black	50	15	15	25	25	50	30	M6	11,5	12	180°	6	3650	2000
27868-20-063828281	chromed	76	28	28	38	38	50	30	M6	11,5	12	270°	6	3650	900
27868-20-063828282	black	76	28	28	38	38	50	30	M6	11,5	12	270°	6	3650	900

Overview of items

Order No.	Main colour	A	A1	A2	A3	A4	B	B1	D1	H	L	Opening angle	S	F1 N	F2 N
27868-20-062528151	chromed	63	15	28	25	38	50	30	M6	11,5	12	270°	6	4450	850
27868-20-062528152	black	63	15	28	25	38	50	30	M6	11,5	12	270°	6	4450	850
27868-20-083018181	chromed	60	18	18	30	30	60	36	M8	15	14,5	180°	8	4500	4500
27868-20-083018182	black	60	18	18	30	30	60	36	M8	15	14,5	180°	8	4500	4500
27868-20-083045181	chromed	90	18	45	30	60	60	36	M8	15	14	270°	8	5500	2500
27868-20-083045182	black	90	18	45	30	60	60	36	M8	15	14	270°	8	5500	2500
27868-20-086045451	chromed	120	45	45	60	60	60	36	M8	15	14	270°	8	5500	1300
27868-20-086045452	black	120	45	45	60	60	60	36	M8	15	14	270°	8	5500	1300