

Item description/product images

**Description****Material:**

Hinges and adjustment bushes die-cast zinc.
Pin stainless steel.

Version:

Hinges and adjustment bushes bright chrome plated or black.
Pins bright.

Note:

Hinges for inset doors.
The hinges can be mounted right or left.

The arrowheads mark the centre of the adjustment travel "L" for ease of assembly.

Doors and hatches can be positioned in stages by moving the adjustment bushes.
Machining tolerances and door gaps can thus be compensated for and re-adjusted horizontally and vertically.

The serrations on the underside of the adjustment bushes and in the slotted holes of the hinge prevent slippage.

The adjustment bushes completely cover the slotted holes so that no dirt can accumulate within the adjustment range.

The loading values given for the hinges are non-binding reference values without consideration of safety factors and exclude any liability. The values given are for information purposes only and do not constitute a legally binding assurance of properties.

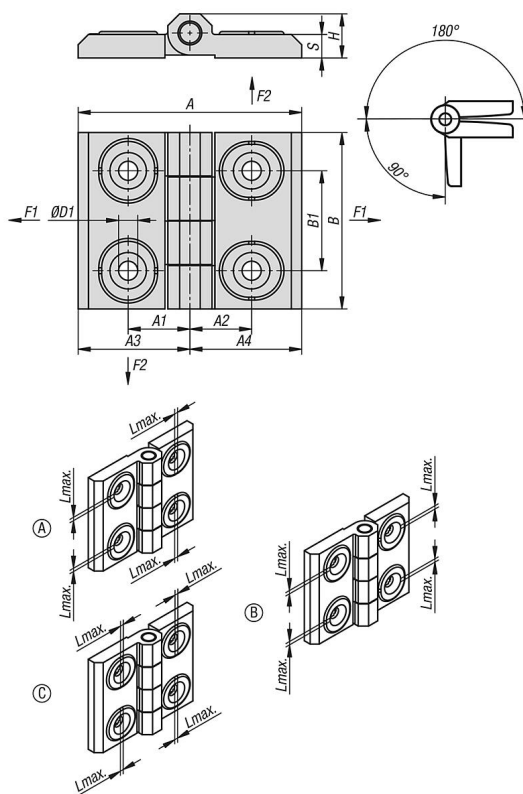
The load values have been determined under laboratory conditions. Each user must determine individually whether the hinge is suitable for the respective application.

Different materials onto which the hinges are installed and the type of mounting, weather conditions and wear can influence the determined values.

Accessory:

Countersunk screws with hex socket DIN EN ISO 10642 (M6) 07175.

Drawings



Overview of items

Order No.	Form	Form definition	Main colour	A	A1	A2	A3	A4	B	B1	D1	H	S	Travel path L max.	Opening angle	F1 N	F2 N
27868-15-0538212111	A	-	chromed	76	21	21	38	38	60	34	6,5	15	8	4	270°	3650	2000
27868-15-0538212112	A	-	black	76	21	21	38	38	60	34	6,5	15	8	4	270°	3650	2000
27868-15-0538212121	B	vertical	chromed	76	21	21	38	38	60	34	6,5	15	8	4	270°	3650	2000
27868-15-0538212122	B	vertical	black	76	21	21	38	38	60	34	6,5	15	8	4	270°	3650	2000
27868-15-0538212131	C	-	chromed	76	21	21	38	38	60	34	6,5	15	8	4	270°	3650	2000
27868-15-0538212132	C	-	black	76	21	21	38	38	60	34	6,5	15	8	4	270°	3650	2000